

振动缸

Air Piston Vibrator Knocker

TPVK Series



How To Order (型号表示方法)

TPVK- 16

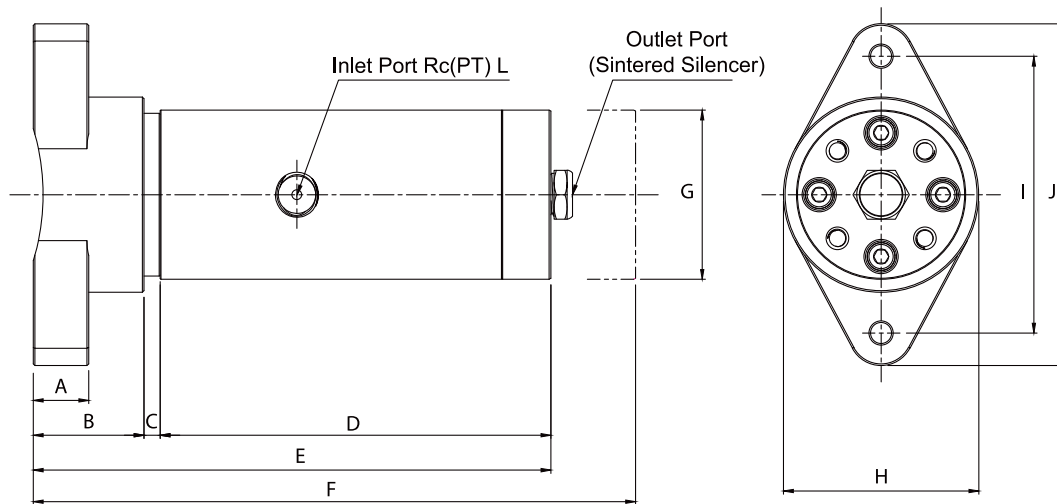
Bore
缸径

16,22,30,40,50

Specification (规格)

Model		TPVK-16	TPVK-22	TPVK-30	TPVK-40	TPVK-50
Vibration force (N)	4kg/cm ²	81	153	280	511	801
	7kg/cm ²	140	265	493	861	1377
Frequency (reciprocations / minute)	4kg/cm ²	3700	3100	2300	1500	1300
	7kg/cm ²	4500	3900	3100	2100	1700
Air consumption (Liters/minute)	4kg/cm ²	19	37	67	100	163
	7kg/cm ²	40	75	138	207	330
Weight (kg)		0.4	0.6	1.0	3.6	4.4

Dimensions(mm)(外形尺寸图(毫米))

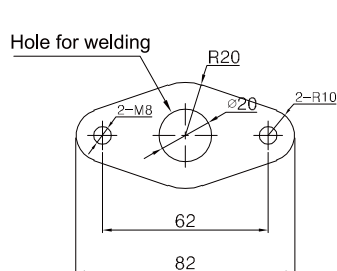


Unit:mm

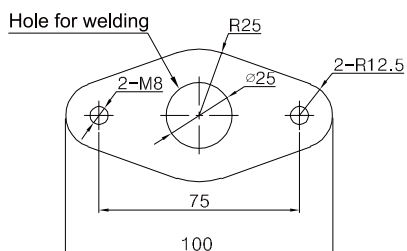
Model	A	B	C	D	E	F	G	H	I	J	K	L
TPVK-16	16	26	5	82	113	123	ø30	40	62	85	10	1/8
TPVK-22	18	30	8	94	132	146	ø41	50	74	94	10	1/8
TPVK-30	20	40	5	120	165	185	ø52	60	102	122	10	1/4
TPVK-40	24	50	5	144	199	230	ø69	75	102	127	10	1/4
TPVK-50	26	56	5	174	235	235	ø90	90	124	149	10	1/4

Dimensions(mm)(外形尺寸图(毫米))

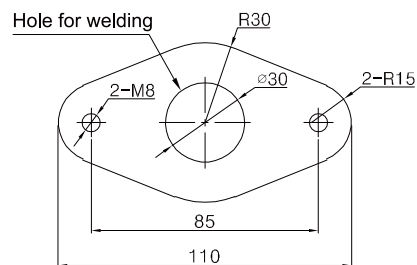
Plate for Welding



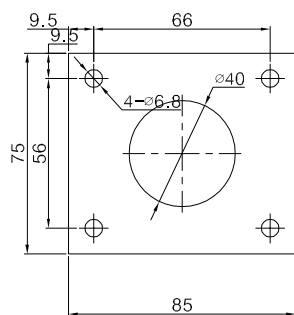
TPVK-16
Thickness 8
Material SS41



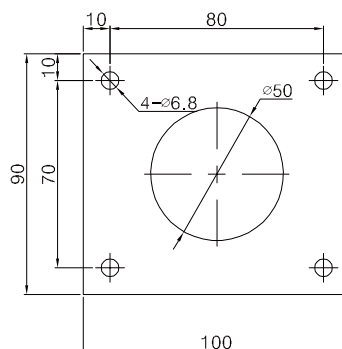
TPVK-22
Thickness 8
Material SS41



TPVK-30
Thickness 8
Material SS41



TPVK-40
Thickness 10
Material SS41



TPVK-50
Thickness 10
Material SS41