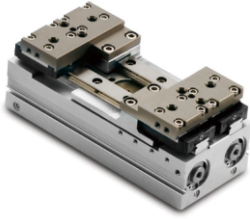


# 导轨型平行开闭气动手指 General Hand

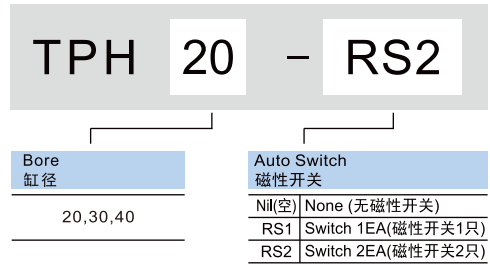
## TPH Series



### Feature (特征)

- Linear guide type 2-Jaw wide parallel open & close type General Hand.
- Realized small-size, light weight, generalized with ultra slim type.
- Various work grip with a wide range of stroke.
- Excellent gripping force with double thrust.
- 直线导轨型平行开闭气动手指.
- 体积小、重量轻.
- 行程大, 把持力大.
- 双向优良推力.

### How To Order (型号表示方法)



### Specification (规格)

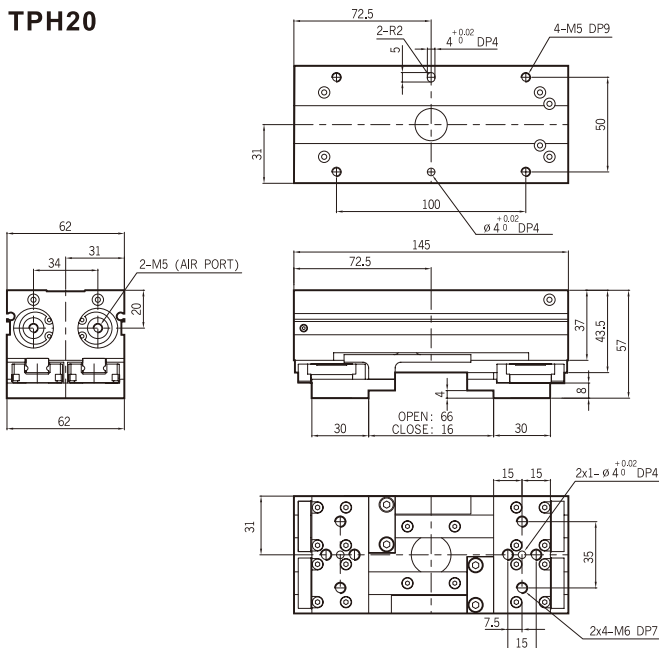
Type(型号)	TPH20	TPH30	TPH40
Cylinder Bore Size(缸径)(mm)	20x2	30x2	40x2
Stroke(开闭行程)(mm)	50	100	150
Gripping Force(理论把持力)(kgf)	23.5	53	94
Air Port Size(接管口径)	M5	PT 1/8	
Weight(本体重量)(kgf)	1.38	4.6	10.5
Allowable Length Of Attachment L (mm)	60	120	160
Displacement Of Attachment H (mm)			
Working Fluid(使用流体)	Clean Air(洁净空气)(*注1)		
Operating Pressure(使用压力)(kgf/cm <sup>2</sup> )	(3~7) General resistance pressure:10.5 (3~7 (普通耐压:10.5))		
Lubrication(润滑)	Not Required(不需要)(*注2)		
Temperature(使用温度)(°C)	5~60		
Accuracy (精度)(mm)	±0.05		
Max.Cycle per Minute(最高使用回数)(C.P.M)	40		
Tolerance Of Open & Close Stroke(mm)(开闭行程公差)	Open(开):±2, Close(闭):±2		

Note 1) Clean Air is contained solidity of 99.9% fluid oil and 0.3% supersaturated wet through filtering 3~10µm  
(洁净空气.用3~10µm过滤器,过滤掉99.9%水份和液体油含0.3%固体物的洁净空气.)

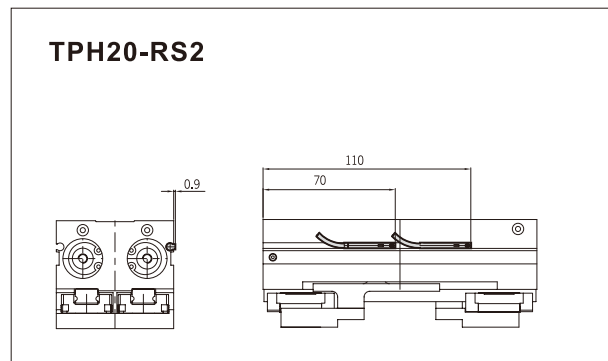
Note 2) Please Use Turbine Oil 1st-Grade ISOVG32,If Necessary. (如需要润滑, 请用透平1号油ISOVG32.)

### Dimensions(mm)(外形尺寸图(毫米))

#### TPH20



#### TPH20-RS2

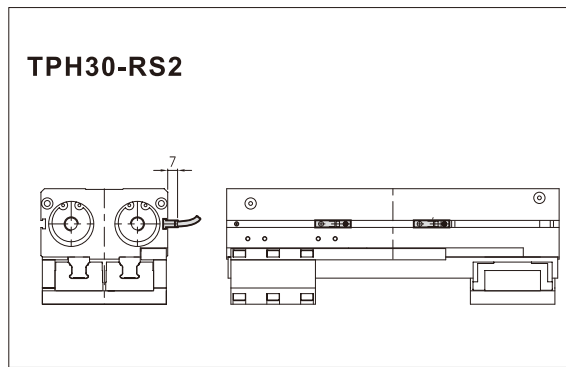
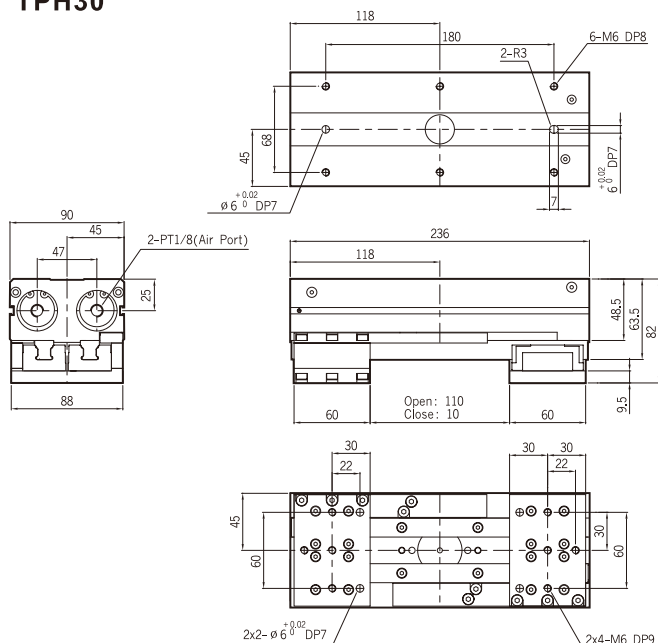


# 导轨型平行开闭气动手指 General Hand

## TPH Series

### Dimensions(mm)(外形尺寸图(毫米))

#### TPH30



### Dimensions(mm)(外形尺寸图(毫米))

#### TPH40

