

# 圆型平行开闭气动手指 General Hand

## THA Series

1



### Feature (特征)

- Round hand of parallel open & close motion type by wedge plunger
- High gripping force due to stable structure
- Compact size & light weight
- Possible to mount center pusher
- Possible to mount auto switches (Proximity switch)
- 平行开闭型圆型气爪
- 具有很强把持力
- 结构紧凑,轻量化
- 可配磁性开关

### How to order (型号表示方法)

THA 30 - RS2 - CP

Bore 缸径	Auto Switch 磁性开关	Option 选项
30, 40, 50, 60, 80, 100, 125	Nil(空) None (无磁性开关) RS1 Switch 1EA(磁性开关1只) RS2 Switch 2EA(磁性开关2只)	Nil(空) Non (Standard)(无)(标准) CP Center Pusher(中心按钮)

### Specification (规格)

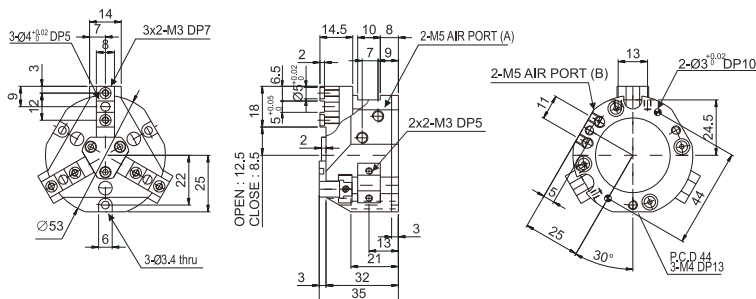
Type(型号)	THA30	THA40	THA50	THA60	THA80	THA100	THA125
Cylinder Bore Size(缸径)(mm)	30	40	50	60	80	100	125
Stroke(开闭行程)(mm)	8	12	14	16	20	26	32
Gripping Force(理论把持力)(kgf)	关	19.1	34.2	54.8	81.5	148	235
Air pressure(使用压力)(5kgf/cm <sup>2</sup> )	开	21.5	38.2	59.8	86.5	162	243
Air Port Size(接管口径)	M5	M5	M5	M5	PT1/8	PT1/8	PT1/8
Weight(本体重量)(kgf)	0.2	0.38	0.6	0.75	1.37	2.35	4.5
Allowable Length of Soft Jaw L(允许距离)(mm)	50	64	70	80	100	125	160
Working Fluid(使用流体)	Clean Air(洁净空气)(*注1)						
Operating Pressure(使用压力)(kgf/cm <sup>2</sup> )	(1.5~7) General resistance pressure:10.5 (1.5~7 (普通耐压:10.5))						
Lubrication(润滑)	Not Required(不需要)(*注2)						
Temperature(使用温度)(°C)	5~60						
Accuracy(精度)(mm)	±0.03			±0.08			
Max.Cycle per Minute(最高使用回数)(C.P.M)	70			40			
Motion Type(工作方式)	Double-acting type (双动)(Structure:Parallel open&close General Hand by Crank Lever)(平行开闭)(Sliding Part:Metal Guide)						

Note 1) Clean Air is contained solidly of 99.9% fluid oil and 0.3% supersaturated wet through filtering 3~10µm  
(洁净空气:用3~10µm过滤器,过滤掉99.9%水份和液体油含0.3%固体物的洁净空气.)

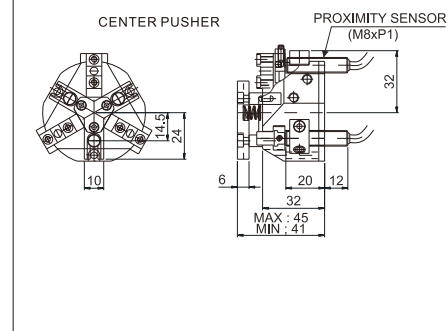
Note 2) Please Use Turbine Oil 1st-Grade ISOVG32,If Necessary. (如需要润滑,请用透平1号油ISOVG32.)

### Dimensions(mm)(外形尺寸图(毫米))

#### THA30



#### THA30-RS2-CP



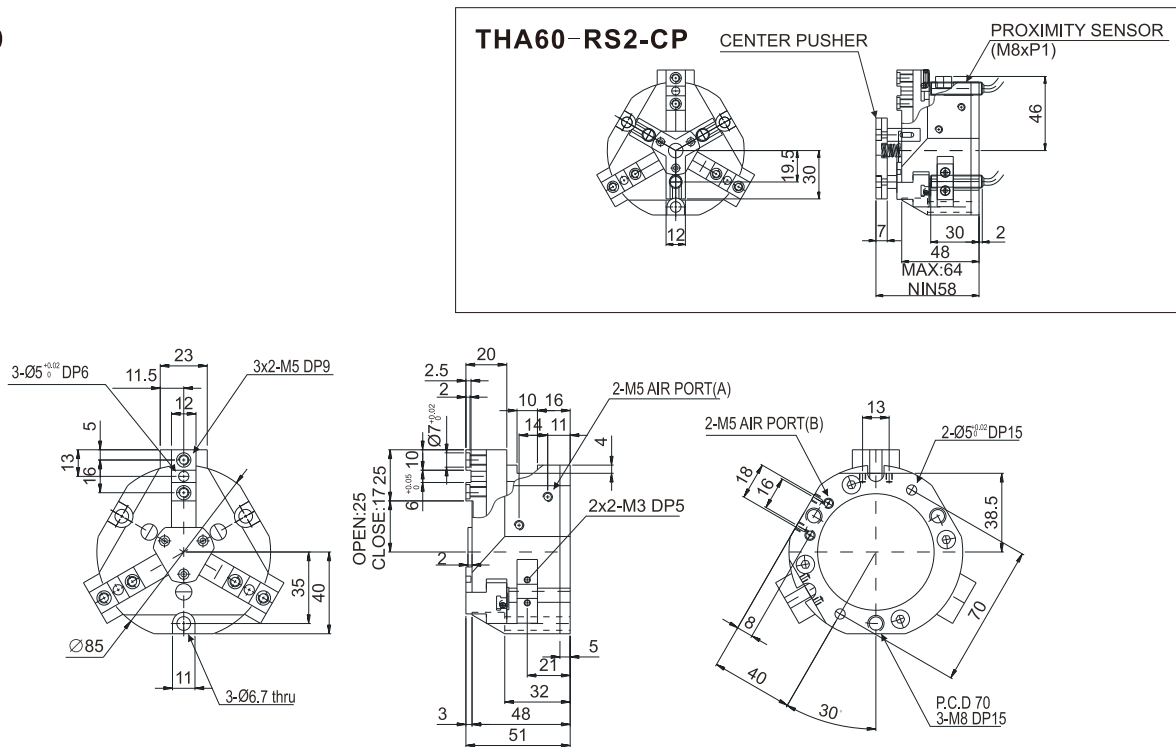


# 圆型平行开闭气动手指 General Hand

## THA Series

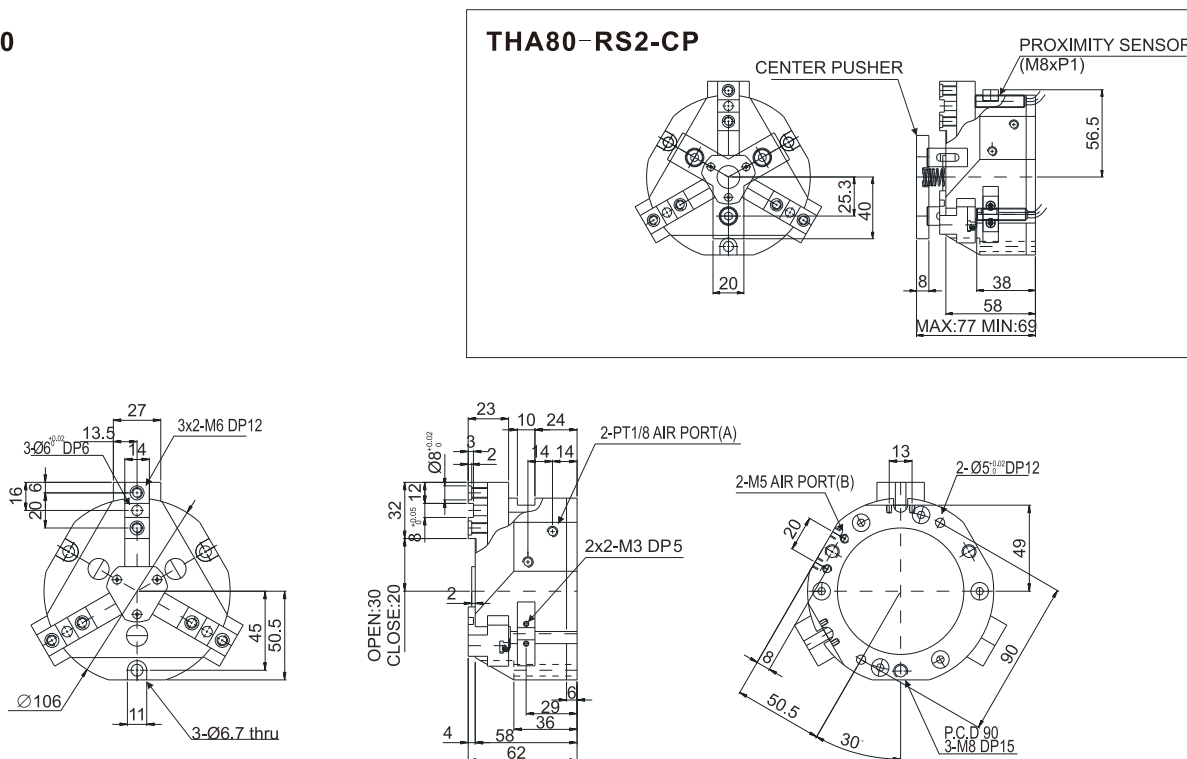
### Dimensions(mm)(外形尺寸图(毫米))

#### THA60



### Dimensions(mm)(外形尺寸图(毫米))

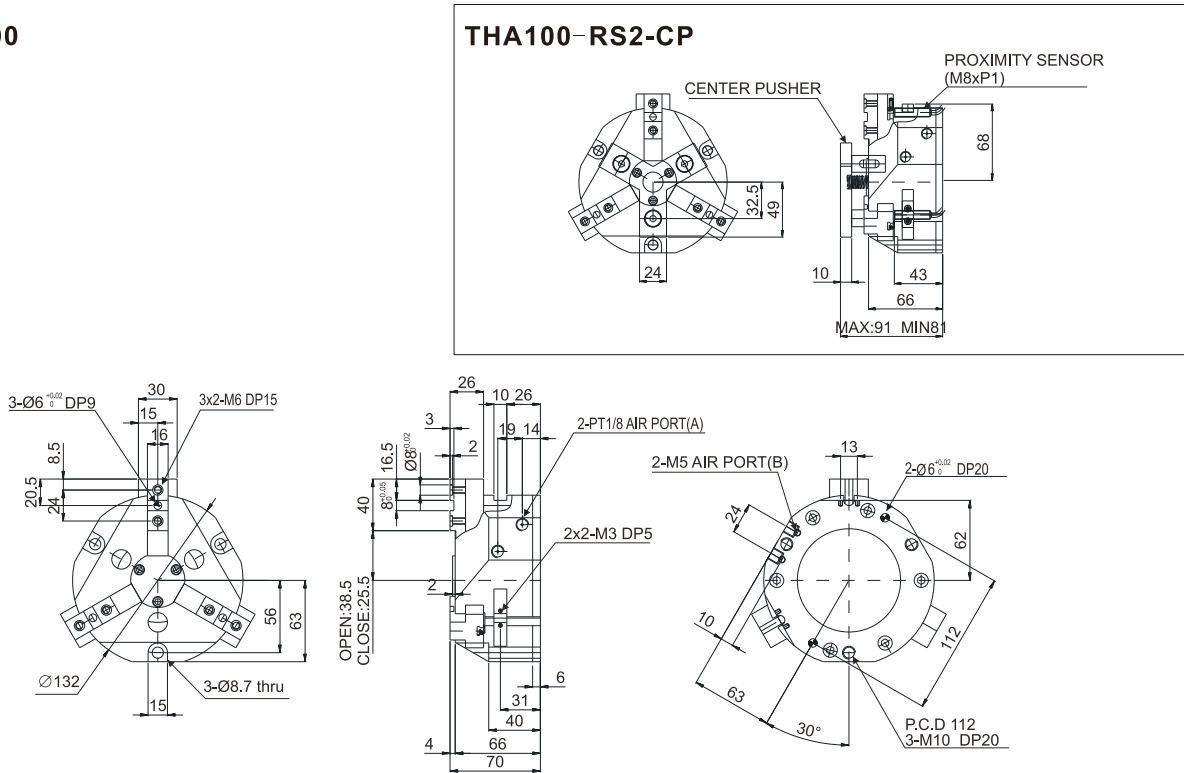
#### THA80



### Dimensions(mm)(外形尺寸图(毫米))

#### THA100

#### THA100-RS2-CP



### Dimensions(mm)(外形尺寸图(毫米))

#### THA125

#### THA125-RS2-CP

