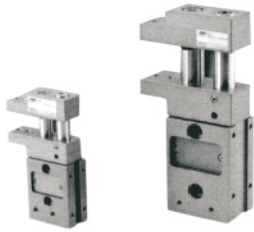


双缸切换型平行开闭气动手指 General Hand

THD Series



Feature (特征)

- 2 sets of cylinder to be parallel arranged is moved parallel open & close type by yoke
- Possible to be parallel arranged and horizontal open & close type
- Variety of attachment method(3direction)
- Possible to mount auto switches
- 将两个气缸依靠杠杆并列而成的切换式平行开闭气爪
- 可三个方向安装
- 可配磁性开关

How to order (型号表示方法)

THD 12 - RS2

Bore 缸径	Auto Switch 磁性开关
12,16,20	Nil(空) None (无磁性开关)
	RS1 Switch 1EA(磁性开关1只)
	RS2 Switch 2EA(磁性开关2只)

Specification (规格)

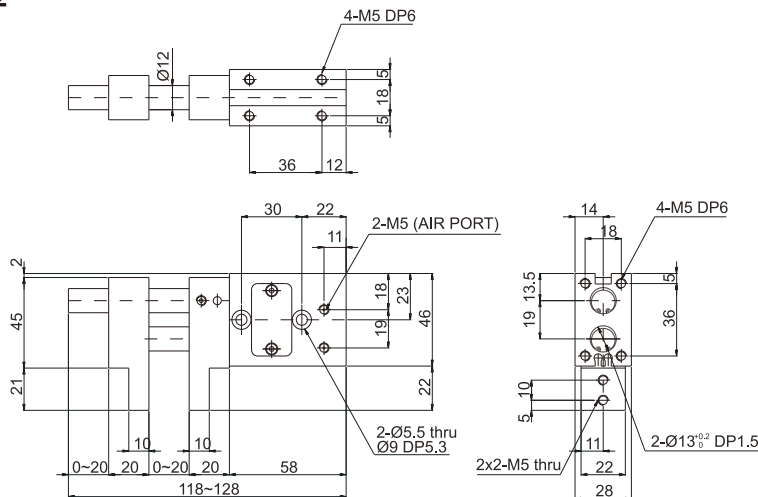
Type(型号)	THD12	THD16	THD20
Cylinder Bore Size(缸径)(mm)	12	16	20
Stroke(开闭行程)(mm)	20	30	36
Gripping Force(理论把持力)(kgf)	4.7	7.0	10.9
Air pressure(使用压力)(5kgf/cm ²)			
Air Port Size(接管口径)	M5	M5	M5
Weight(本体重量)(kgf)	0.41	0.75	1.46
Allowable Length of Soft Jaw L(允许距离)(mm)	9	10	10.5
Working Fluid(使用流体)	Clean Air(洁净空气)(*注1)		
Operating Pressure(使用压力)(kgf/cm ²)	(1.5~7) General resistance pressure:10.5 (1.5~7 (普通耐压:10.5))		
Lubrication(润滑)	Not Required(不需要)(*注2)		
Temperature(使用温度)(°C)	5~60		
Accuracy(精度)(mm)	±0.1		
Max.Cycle per Minute(最高使用回数)(C.P.M)	60		
Motion Type(工作方式)	Double-acting type (双动)(Structure:Parallel open&close General Hand by Crank Lever)(平行开闭)(Sliding Part:Metal Guide)		

Note 1) Clean Air is contained solidity of 99.9% fluid oil and 0.3% supersaturated wet through filtering 3~10µm
(洁净空气:用3~10µm过滤器,过滤掉99.9%水份和液体油含0.3%固体物的洁净空气.)

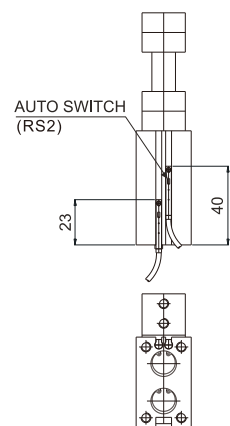
Note 2) Please Use Turbine Oil 1st-Grade ISOVG32.If Necessary. (如需要润滑,请用透平1号油ISOVG32.)

Dimensions(mm)(外形尺寸图(毫米))

THD12



THD12-RS2

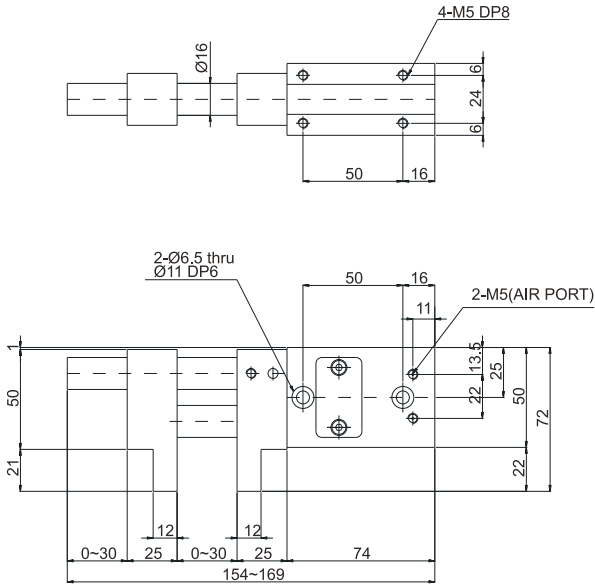


双缸切换型平行开闭气动手指 General Hand

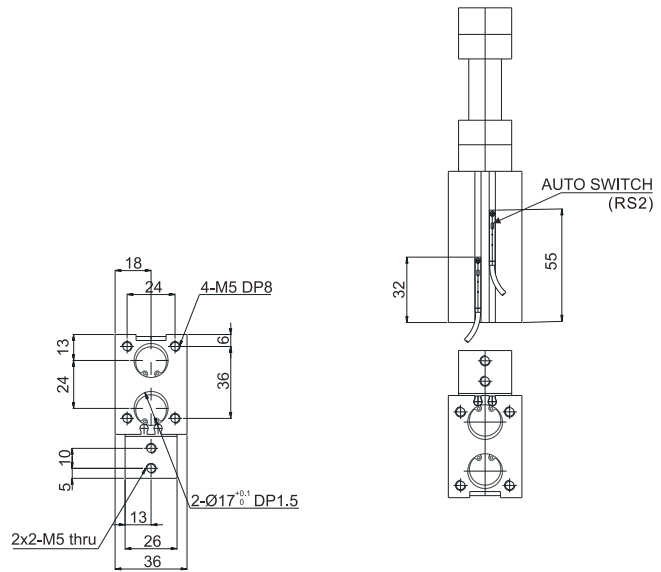
THD Series

Dimensions(mm)(外形尺寸图(毫米))

THD16

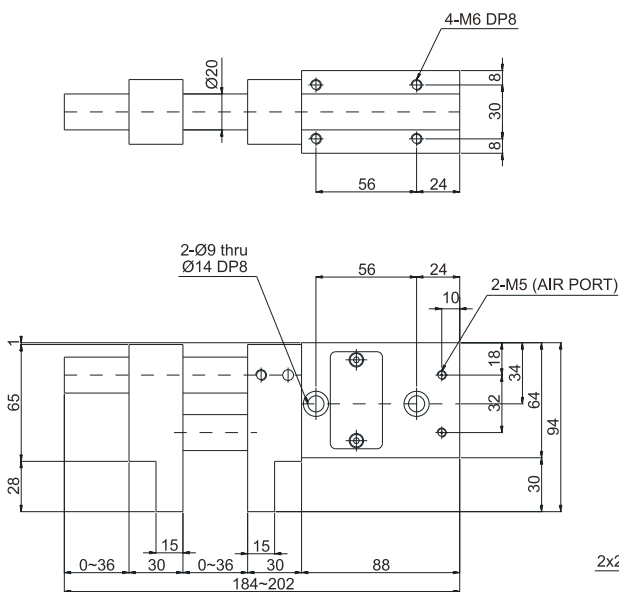


THD16-RS2



Dimensions(mm)(外形尺寸图(毫米))

THD20



THD20-RS2

