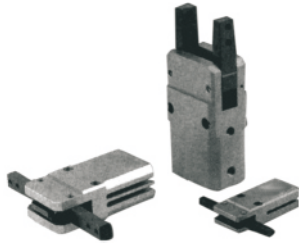


中小型180°开闭气动手指 General Hand

TMHY Series



Feature (特征)

- 180 degree angular open & close motion type by link lever
- As a cylinder unifying type, it is possible to eliminate interrupt of vibration of link lever
- Good durability due to abrasion resisting surface treatment on sliding part of jaw
- Possible to mount auto switches
- 180° 开闭型气爪
- 安装方便, 附有定位孔
- 可配磁性开关

How To Order (型号表示方法)

TMHY 16 - RS2

Bore 缸径	Auto Switch 磁性开关
16, 20, 30, 40, 50, 80	Nil(空) None (无磁性开关)
	RS1 Switch 1EA(磁性开关1只)
	RS2 Switch 2EA(磁性开关2只)

Specification (规格)

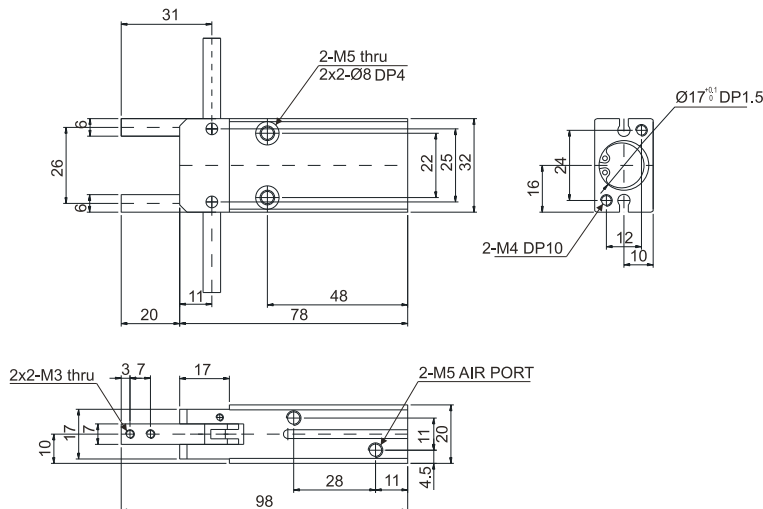
Type(型号)	TMHY16	TMHY20	TMHY30	TMHY40	TMHY50	TMHY80
Cylinder Bore Size(缸径)(mm)	16	20	30	40	50	80
Stroke(开闭行程)(mm)	-5~180	-5~180	-5~180	-5~180	-5~180	-5~180
Gripping Force(理论把持力)(kgf)	2.6	4.2	9.6	14.7	26	52.7
Air pressure(使用压力)(5kgf/cm ²)	关 3.5	开 5.0	10.6	15.7	29	56.7
Air Port Size(接管口径)	M5	M5	PT1/8	PT1/8	PT1/8	PT3/8
Weight(本体重量)(kgf)	0.15	0.30	0.65	1.16	2.1	4.5
Allowable Length of Soft Jaw L(允许距离)(mm)	50	80	95	120	140	170
Working Fluid(使用流体)	Clean Air(洁净空气)(*注1)					
Operating Pressure(使用压力)(kgf/cm ²)	(1.5~7) General resistance pressure:10.5 (1.5~7 (普通耐压:10.5))					
Lubrication(润滑)	Not Required(不需要) (*注2)					
Temperature(使用温度)(°C)	5~60					
Accuracy(精度)(mm)	±0.01					
Max. Cycle per Minute(最高使用回数)(C.P.M)	60					
Motion Type(工作方式)	Double-acting type (双动)(Structure:Parallel open&close General Hand by Crank Lever)(平行开闭)(Sliding Part: Metal Guide)					

Note 1) Clean Air is contained solidly of 99.9% fluid oil and 0.3% supersaturated wet through filtering 3~10µm
(洁净空气:用3~10µm过滤器,过滤掉99.9%水份和液体油含0.3%固体物的洁净空气.)

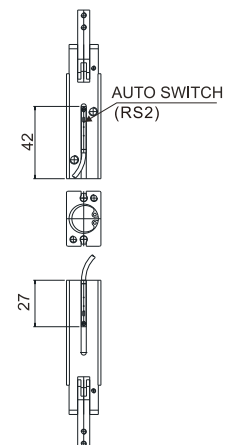
Note 2) Please Use Turbine Oil 1st-Grade ISOVG32, If Necessary. (如需要润滑, 请用透平1号油ISOVG32.)

Dimensions(mm)(外形尺寸图(毫米))

TMHY16

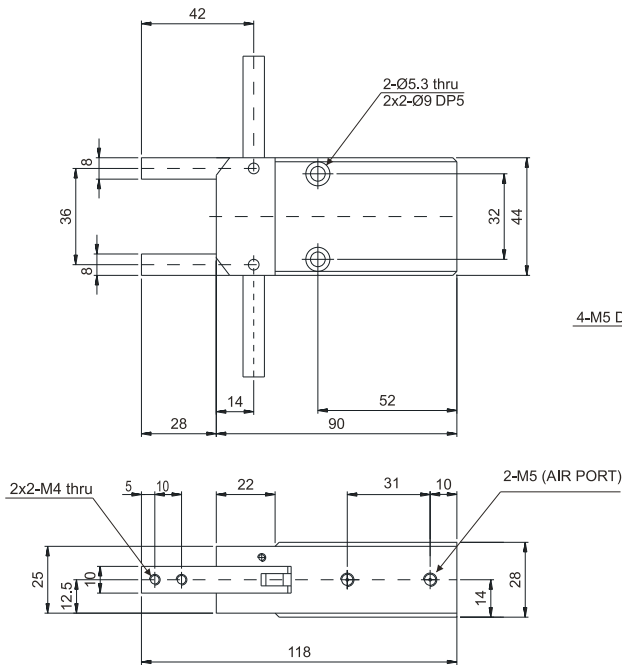


TMHY16-RS2

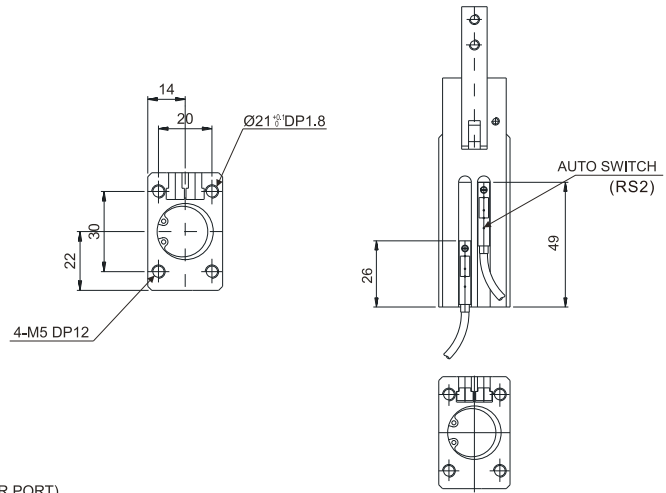


Dimensions(mm)(外形尺寸图(毫米))

TMHY20

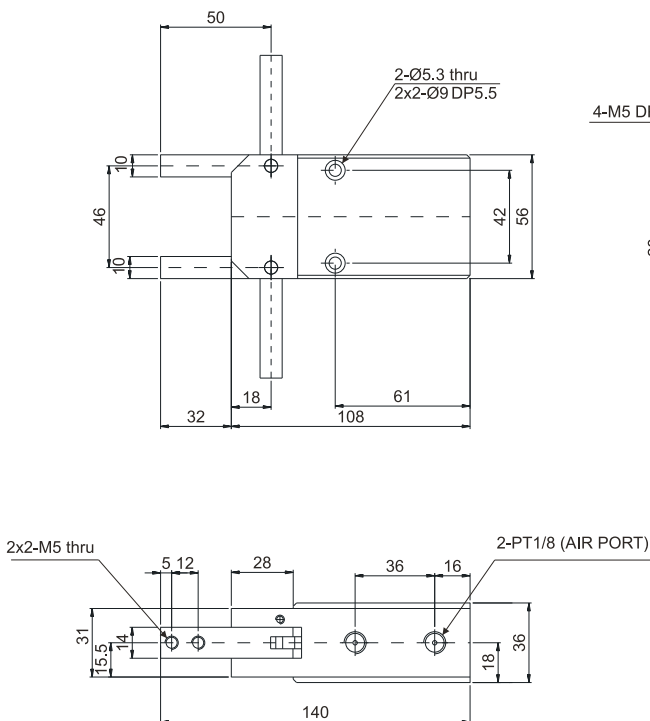


TMHY20-RS2

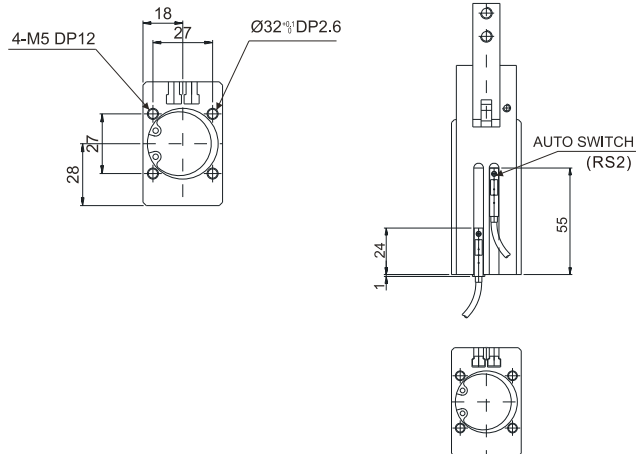


Dimensions(mm)(外形尺寸图(毫米))

TMHY30



TMHY30-RS2

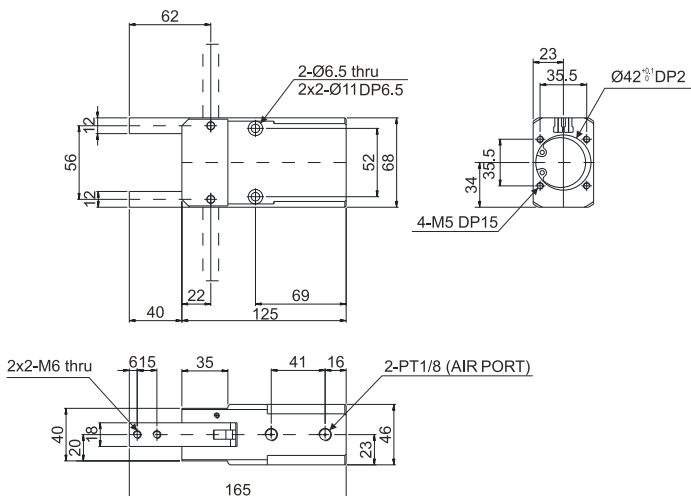


中小型180°开闭气动手指 General Hand

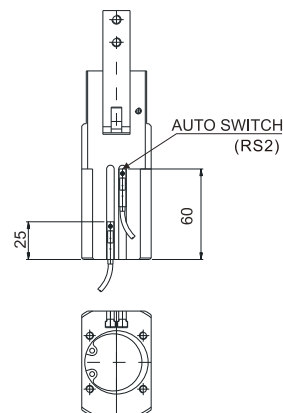
TMHY Series

Dimensions(mm)(外形尺寸图(毫米))

TMHY40

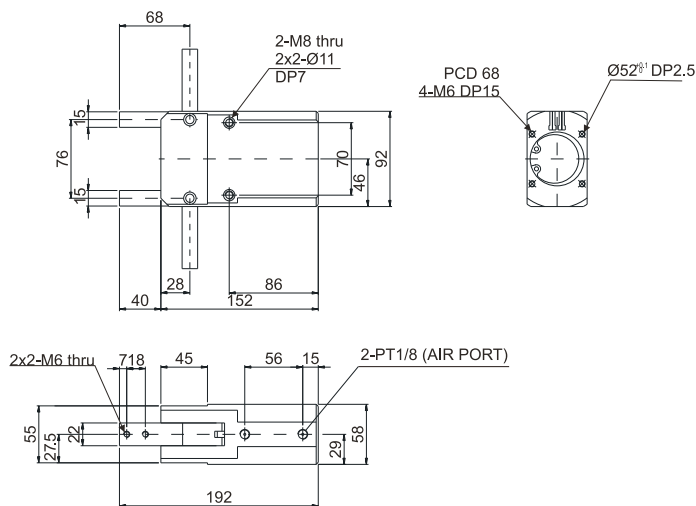


TMHY40-RS2

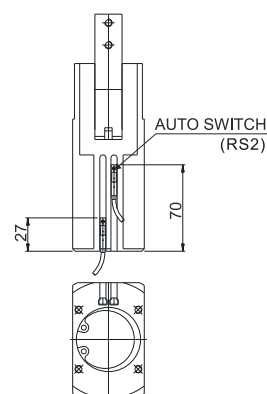


Dimensions(mm)(外形尺寸图(毫米))

TMHY50

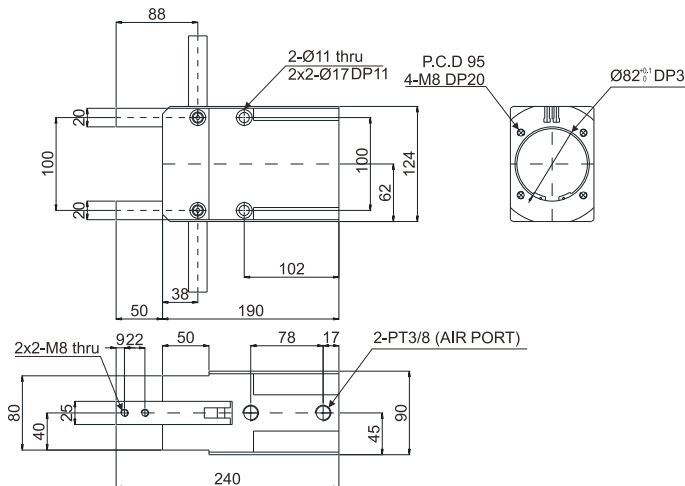


TMHY-RS2



Dimensions(mm)(外形尺寸图(毫米))

TMHY80



TMHY80-RS2

