

薄型吸盘附缓冲式金属底座及快速接管型

AIRBEST Series

Thin Type Vacuum Pad With Locking Fittings And One Touch Coupling

SPATKM / SPAYKM Series



How To Order(型号表示方法)

SPA T KM- 10 - N

① ② ③

① Vacuum Entry Direction
(真空口方向)

② Pad Diameter(mm)
(吸盘直径)

③ Pad Material (吸盘材料)

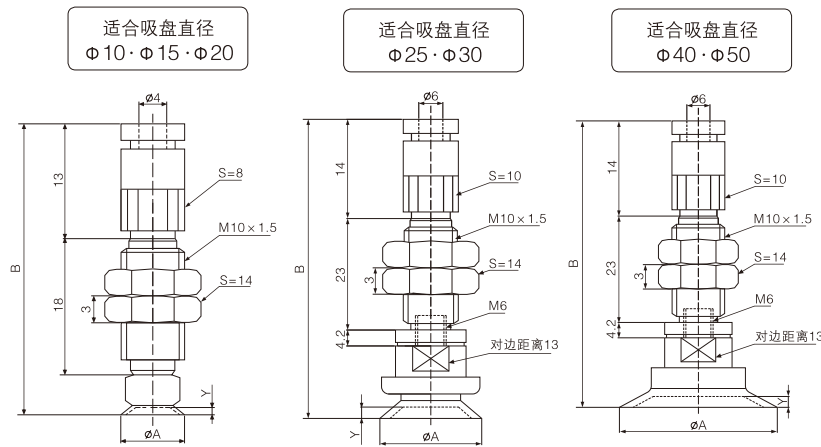
T	Vertical (垂直方向)
Y	Lateral (水平方向)

10	25
15	30
20	-

N	Nitrile Rubber (丁腈橡胶)
S	Silicone (硅胶)
NE	Conductive Nitrile Rubber(导电性丁腈橡胶)
SE	Conductive Silicone(导电性硅胶)

Dimensions(mm)(外形尺寸图(毫米))

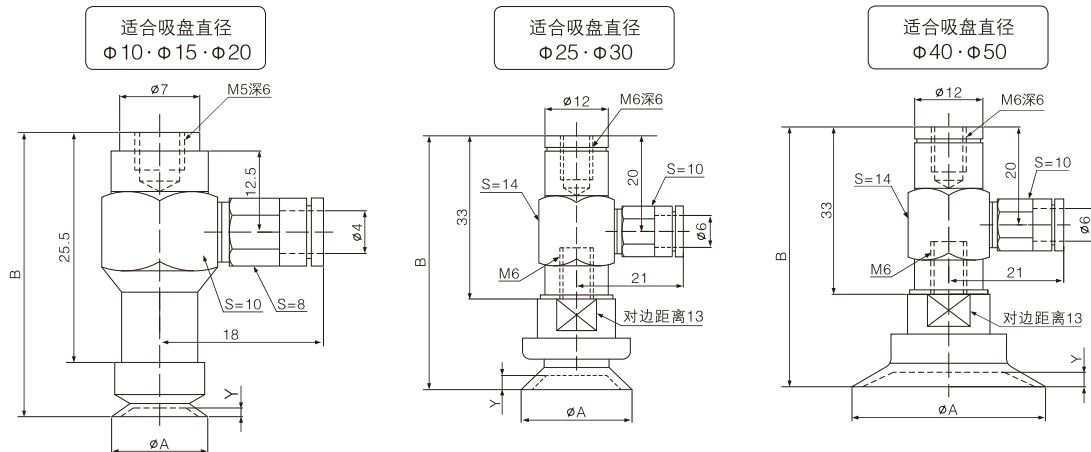
Vertical Direction Connection (垂直方向连接) · SPATKM (型号)



S:Width Across Flats
S:六角对边尺寸

Model(型号)	A	B	Y
SPATKM-10	10	38.5	0.6
SPATKM-15	15	38.5	0.9
SPATKM-20	20	41	1.2
SPATKM-25	25	59.2	1.5
SPATKM-30	30	59.2	1.8
SPATKM-40	40	59.2	2.4
SPATKM-50	50	59.2	3

Lateral Direction Connection (水平方向连接) · SPAYKM (型号)



S:Width Across Flats
S:六角对边尺寸

Model(型号)	A	B	Y
SPAYKM-10	10	33	0.6
SPAYKM-15	15	33	0.9
SPAYKM-20	20	35.5	1.2
SPAYKM-25	25	51.2	1.5
SPAYKM-30	30	51.2	1.8
SPAYKM-40	40	51.2	2.4
SPAYKM-50	50	51.2	3