

多级真空发生器(高真空型) Universal Pump (High Vacuum Type)

TVMPH10~40 Series



Features(产品特点)

- Use with practically zero leakage present and non-porous applications Available with connection plate in aluminium (AD) and composite PPS(D)
- Supplies with a push-in connector for compressed air, through-flow silencer and mounting brackets
- 特别适合零泄漏和无孔应用
- 现有铝连接板(AD)和聚苯硫醚复合材料连接板(D)
- 提供压缩空气接口所需的快速接头, 直流消声器和安装支架

Specifications(技术规格)

Air Supply Pressure Max(最大供气压力)	bar	7
Noise Level(噪音)	dBA	60~65
Temperature Range(温度范围)	°C	-20~80
Weight(重量)	g	530~620,690~780
Material(材料)		AL,PPS,NBR,SS

Technical Parameters(产品参数)

Model(型号)	Air Supply Pressure (供气压力) (bar)	Max.vacuum Level (最大真空度) (-kPa)	Max.vacuum Flow (最大真空流量) (l/min)	Air Consumption (空气消耗量) (l/min)	Weight(重量) (PPS Materials(材料)) (g)	Min Tube Inner Φ (最小软管内径)(Within 2m(2m以内))		
						Air Supply(供气)	Vacuum(真空)	EXhaust(排气)
TVMPH10	6	99.8	150	155	675	>6	>8	>10
TVMPH40		100.8	530	440	837	>9	>15	>19

How To Order(型号表示方法)

TVMPH10 - D - N - A

①

②

③

④

① Model(型号)

TVMPH10

TVMPH40

② Connection Plate(连接板)

	Air Supply(供气口)	Vacuum(真空)	EXhaust(排气)	Material(材料)
D	NPSF1/8"	G3/4"	G3/4"	PPS
B	NPSF1/8"	NPT3/4"	NPT3/4"	PPS
AD	G1/4"	G3/4"	G3/4"	AL(铝)
E	NPT1/4"	NPT3/4"	NPT3/4"	AL(铝)

③ Sealing(密封材料)

N	NBR(丁腈橡胶)
E	EPDM(三元乙丙橡胶)
V	VITON(氟橡胶)

④ Non-Return Valve(止回阀)

A	Yes(有)
-	No(无)

Parameters(参数)

Model (型号)	-kPa	Air Supply Pressure (供气压力) bar	Air Consumption (空气消耗量) l/m	Max.Vacuum Level (最大真空度)	Vacuum Flow(l/min) At Different Vacuum Levels(-kPa)(不同真空度(-kPa)的真空流量(l/min))										
					0	10	20	30	40	50	60	70	80	90	99
TVMPH10	6	6	155 l/min	-99.8kPa	150	145	105	52.5	27.5	20.5	15	8.5	5.5	3	0.2
TVMPH40			440 l/min	-100.8kPa	530	420	265	141	85	65	45	33	21.5	6	0.5

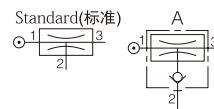
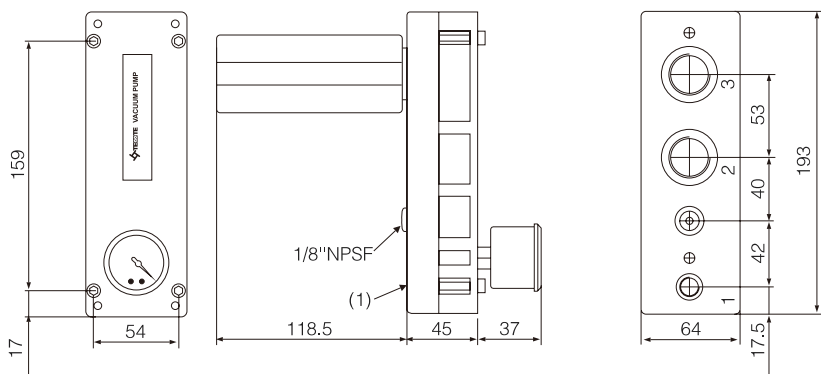
Model (型号)	-kPa	Evacuation Time(s/l) To Reach Different Vacuum Levels(-kPa)(不同真空度(-kPa)的抽气时间(s/l))									
		10	20	30	40	50	60	70	80	90	99
TVMPH10	6	0.035	0.078	0.18	0.32	0.64	1.3	1.8	2.6	3.9	9.8
TVMPH40	6	0.02	0.036	0.08	0.14	0.25	0.38	0.66	1.08	3.6	8.5

多级真空发生器(高真空型) Universal Pump (High Vacuum Type)

TVMPH10~40 Series

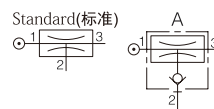
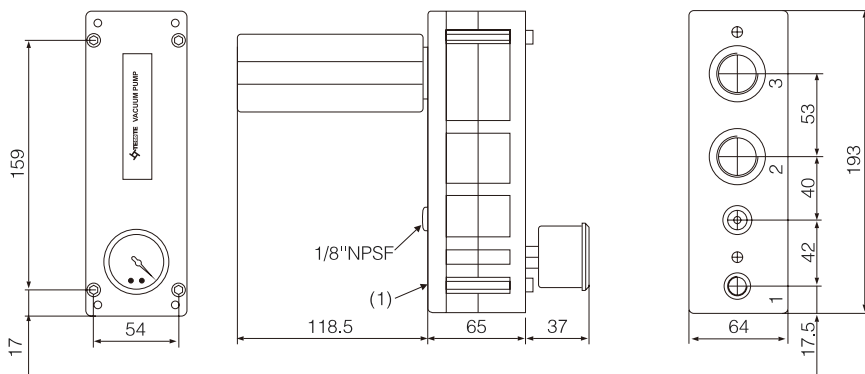
Dimensions (mm)(外形尺寸(毫米))

TVMPH10



	1	2	3
D	NPSF1/8"	G3/4"	G3/4"
B	NPSF1/8"	NPT3/4"	NPT3/4"
AD	G1/4"	G3/4"	G3/4"
E	NPT1/4"	NPT3/4"	NPT3/4"

TVMPH40



	1	2	3
D	NPSF1/8"	G3/4"	G3/4"
B	NPSF1/8"	NPT3/4"	NPT3/4"
AD	G1/4"	G3/4"	G3/4"
E	NPT1/4"	NPT3/4"	NPT3/4"