

二通、三通机械阀

2、3 Port Mechanical Valve

KVM100 Series

K Series



Common Specification (共同规格)

Fluid(流体)	Compressed Air(压缩空气)
Port Size(接管口径)	Rc(PT) 1/8, G 1/8
Ambient Temperature(环境温度)	0°C~60°C
Operating Pressure(使用压力)	0~9.9kgf/cm ² (0~0.99MPa)
Effective Sectional Area (有效截面积)	19mm ² (CV=1.0)
Lubrication (润滑)	Not Required(无需润滑)

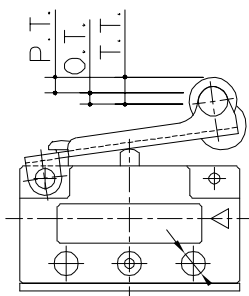
Model (型号)	KVM 120(1)-01-00	KVM 121-01-01(S)	KVM 121-01-02(S)	KVM 120-01-30-33	KVM 120-01-34
Symbol (图形符号)					
Model (型号)	KVM 130(1)-01-00	KVM 131-01-01(S)	KVM 131-01-02(S)	KVM 130-01-30-33	KVM 130-01-34
Symbol (图形符号)					

How To Order (型号表示方法)

KVM G 1 2 0 - 01 - 30 - R

Port Type 螺纹种类	Number of Ports 接口数	Stem Type 阀杆	Type of Actuator 开关方式	Option 选项
Nil(空) G G	2 2 Port(二通) 3 3 Port(三通)	0 Long Stem(长杆) 1 Short Stem(短杆) <small>*短杆只适用于01&02类型的开关。 *长杆只适用于30, 33&34类型的开关。</small>	00 Standard(标准) 01 Roller Lever(双向滚轮) 02 One-way Lever(单向滚轮) 30 Push Button(大头按钮) 33 Flat Push Button(平头按钮) 34 Selector(旋转选择)	S Hard Steel Roller(强化滚轮) R Red(红色按钮) G Green(绿色按钮)

Operating Point of Mechanical Valve(机械阀操作点)



P.T. : Working distance from the free position to the operating position of the actuator.
(从执行器的自由位置到操作位置的移动距离)

O.T. : Working distance from the operating position to the operating limit of the actuator.
(从执行器的操作位置到操作极限位置的移动距离)

T.T. : Working distance from the free position to the operating limit of the actuator.
(从执行器的自由位置到操作极限位置的移动距离)

F.O.F. : Force required by actuator to move from the free position to the operating limit of the operating.
(执行器从自由位置移动到操作极限位置时需要的力度)

二通、三通机械阀

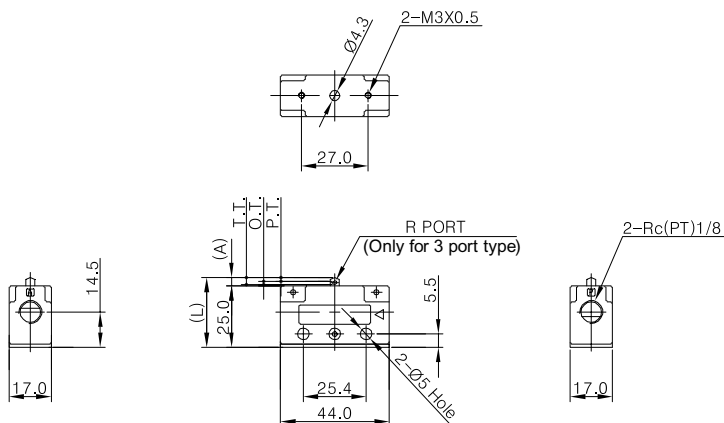
2、3 Port Mechanical Valve

KVM100 Series

K Series

Dimensions(mm)(外形尺寸图(毫米))

Standard(标准型) KVM 120-01-00, KVM 121-01-00, KVM 130-01-00, KVM 131-01-00

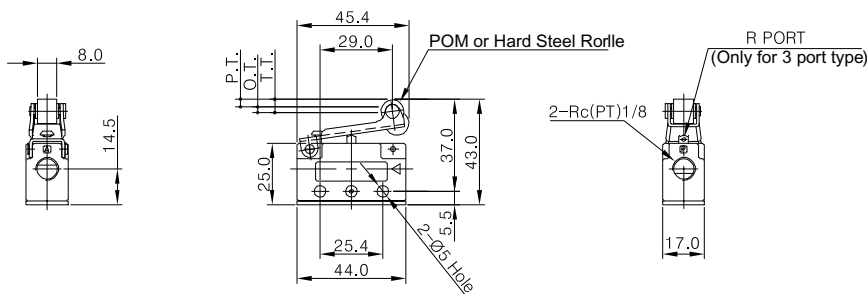


Model(型号)	(L)	(A)
KVM120-01-00	32.5	7.5
KVM130-01-00		
KVM121-01-00	28.5	3.5
KVM131-01-00		

※ At 5kgf/cm²

F.O.F.	2.0kgf
P.T.	1.5mm
O.T.	1.5mm
T.T.	3.0mm

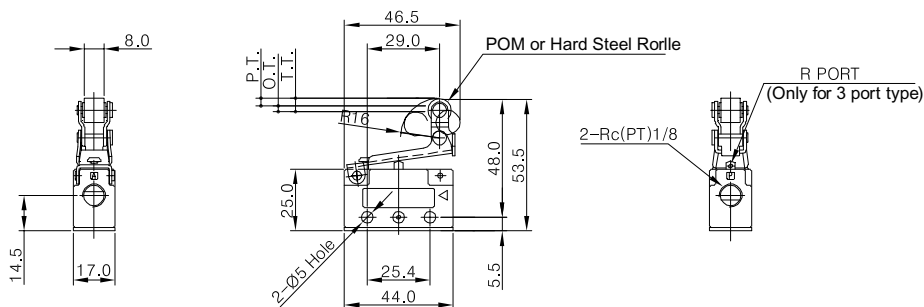
Roller Lever(双向滚轮) KVM 121-01-01, KVM 121-01-01S, KVM 131-01-01, KVM 131-01-01S



※ At 5kgf/cm²

F.O.F.	1.2kgf
P.T.	3.2mm
O.T.	2.3mm
T.T.	5.5mm

One-Way Lever(单向滚轮) KVM 121-01-02, KVM 121-01-02S, KVM 131-01-02, KVM 131-01-02S

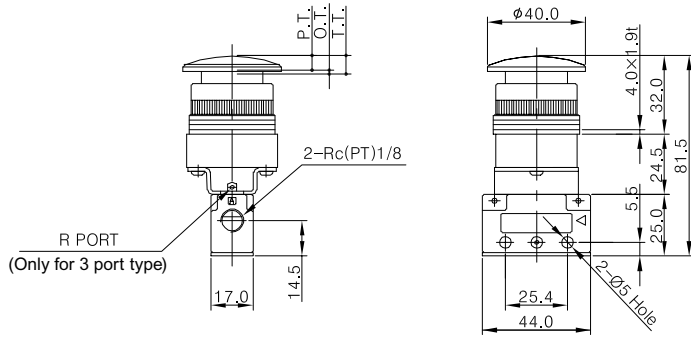


※ At 5kgf/cm²

F.O.F.	1.2kgf
P.T.	3.2mm
O.T.	2.3mm
T.T.	5.5mm

Dimensions(mm)(外形尺寸图(毫米))

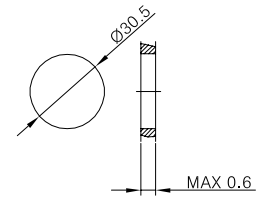
Push Button(大头按钮) KVM 120-01-30R, G, KVM 130-01-30R, G



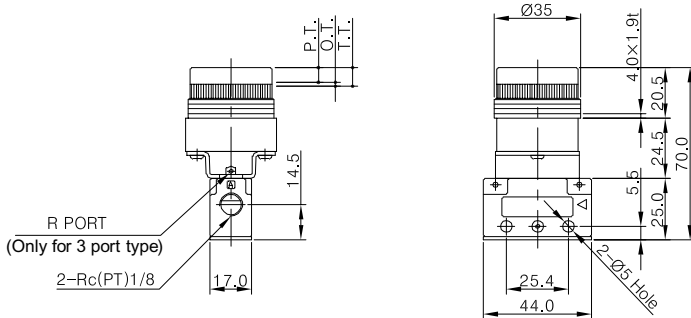
※ At 5kgf/cm²

F.O.F.	2.5kgf
P.T.	6.0mm
O.T.	1.6mm
T.T.	7.6mm

Panel Mounting Hole



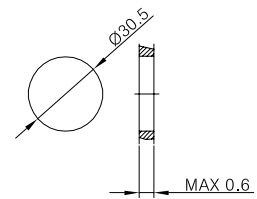
Flat Push Button (平头按钮) KVM 120-01-33R, G, KVM 130-01-33R, G



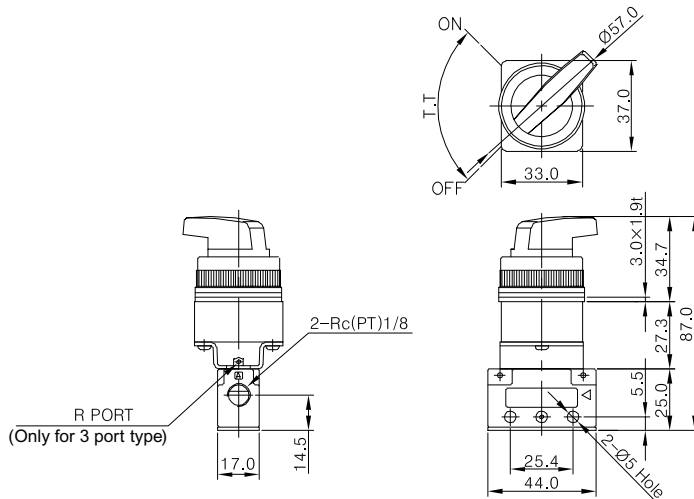
※ At 5kgf/cm²

F.O.F.	2.5kgf
P.T.	6.0mm
O.T.	1.6mm
T.T.	7.6mm

Panel Mounting Hole



Selector(旋转按钮) KVM 120-01-34, KVM 130-01-34



※ At 5kgf/cm²

F.O.F.	1.8kgf
T.T.	90°C

Panel Mounting Hole

