

# 中型轻型气缸 (铝缸筒) Medium Light Cylinder (AL Tube)

## TCG1, TCDG1 (Ø50~Ø100) Series



### Common Specification (共同规格)

Bore(缸径)(mm)	Ø50	Ø63	Ø80	Ø100
Fluid(使用流体)	Clean Air(洁净空气)			
Action(动作形式)	Double Acting(双动)			
Proof Press.(保证耐压力)	1.5MPa			
Max.Press.(最高使用压力)	0.99MPa			
Min.Press.(最低使用压力)	0.05MPa			
Amb.Temp.(环境和流体温度)	5~60°C			
Piston Speed(活塞速度)	50~600mm/sec			
Cushion(缓冲)	Rubber Cushion(橡胶缓冲)			
Stroke Tolerance(行程公差)	~1000 <sup>+1.4</sup> <sub>0</sub>		1001 ~ 1500 <sup>+1.8</sup> <sub>0</sub>	
*Lubrication(润滑)	Non-Lube(不需要)			
Tolerance Of Thread(螺纹公差)	KS class 2			

\* Use Tubine Oil 1st-Grade ISOVG32, If Necessary(如需要润滑请用透平1号油ISOVG32)

### Features(特征)

- Aluminium tube(铝缸筒)
- Shortened round cylinder(总长度缩短)
- Lighter than conventional type(重量比其它类型轻)

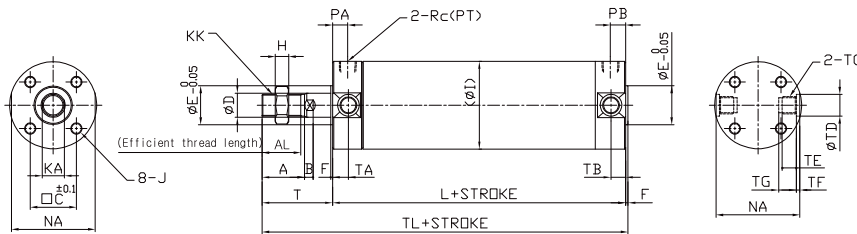
### How To Order (型号表示方法)

TC D G1 B 50 - 100 Y - M9B S

Magnet 有/无磁环	Mounting 附件安装方式	Bore 缸径	Accessory 附件	*Auto Switch 磁性开关	No. of Auto Switch 磁性开关数量
Nil(空)   None(无磁环)	B Basic Type(基本型)	50, 63, 80, 100	I I Type Knuckle Joint (I型单肘接头)	Nil(空)   None (无磁性开关)	Nil(空)   2(个)
D Built-in Magnet(有磁环)	F Front Flange(杆侧法兰)	Stroke 行程	Y Y Type Knuckle Joint (Y型双肘接头)	A49 Reed Switch(带有接点磁性开关)	S 1(个)
	G Rear Flange(后法兰)	25, 50, 75, 100, 125, 150, 200, 250, 300	*Auto Switch (磁性开关)引线长度表示记号: 无记号-1m(标准) L-3m Z-5m	M9B Reed Switch(带有接点磁性开关)	3 3(个)
	D Double Clevis(双U钩型)			M9NP Contactless Switch(无接点磁性开关)	

### Dimensions(mm)(外形尺寸图(毫米))

#### Basic Type(基本型) TCG1B



Unit : mm

Bore size	Standard stroke range	Long stroke range	A	AL	C	D	E	F	PA	PB	T	H	I	J	B	KA	KK
Ø50	~300	301~1200	35	32	32	20	30	2	14	12	58	11	56	M8XP1.25 Depth16	7	18	M18XP1.5
Ø63	~300	301~1200	35	32	38	20	32	2	14	12	58	11	69	M10XP1.5 Depth16	7	18	M18XP1.5
Ø80	~300	301~1400	40	37	50	25	40	3	20	16	71	13	87	M10XP1.5 Depth22	10	22	M22XP1.5
Ø100	~300	301~1500	40	37	60	30	50	3	20	16	71	16	108	M12XP1.75 Depth22	10	26	M26XP1.5

Bore size	NA	Rc(PT)	L	TA	TB	TL	TC	TDH9	TE	TG	
Ø50	55	1/4	90	13	12	150	M12XP1.25	16	<sup>+0.08</sup> <sub>0</sub>	7.5	10
Ø63	69	1/4	90	13	12	150	M14XP1.5	18	<sup>+0.08</sup> <sub>0</sub>	11.5	14.5
Ø80	80	3/8	108	-	-	182	-	-	-	-	-
Ø100	100	1/2	108	-	-	182	-	-	-	-	-

\*Contact us for built-in magnet type.(有磁环型请咨询营业员)

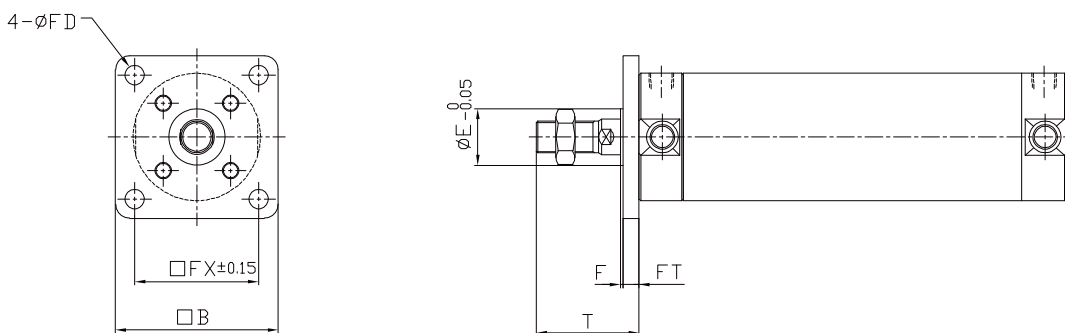
Please contact us on any small problem and details.  
更详细的图以及问题, 请直接与本公司联络。

# 中型轻型气缸 (铝缸筒) Medium Light Cylinder (AL Tube)

## TCG1(Ø50~Ø100) Series

### Dimensions(mm)(外形尺寸图(毫米))

#### Front Flange(杆侧法兰) TCG1F



Unit : mm

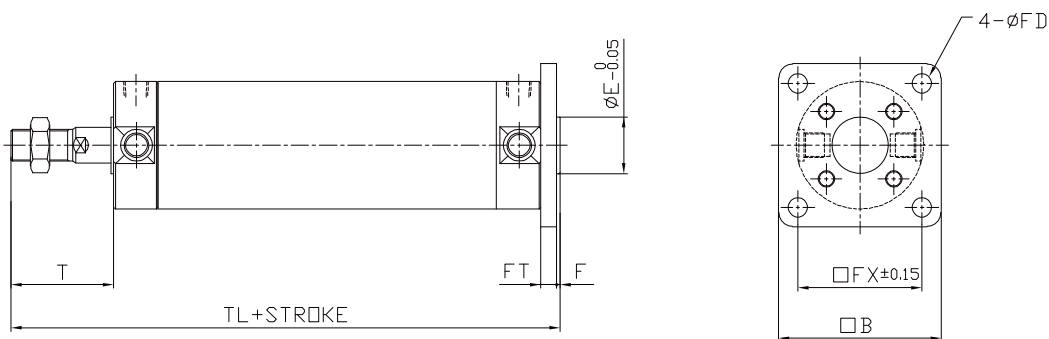
Bore size	Stroke range	B	E	F	FX	FD	FT	T
Ø50	~750	76	30	2	58	9	9	58
Ø63	~750	92	32	2	70	11	9	58
Ø80	~750	104	40	3	82	11	11	71
Ø100	~750	128	50	3	100	14	14	71

\*ØE is on flange mounting.

\*For dimensions not shown in these figures, refer to the standard type.

### Dimensions(mm)(外形尺寸图(毫米))

#### Rear Flange Type (后法兰) TCG1G



Unit : mm

Bore size	Stroke range	B	E	F	FX	FD	FT	T	TL
Ø50	~750	76	30	2	58	9	9	58	159
Ø63	~750	92	32	2	70	11	9	58	159
Ø80	~750	104	40	3	82	11	11	71	193
Ø100	~750	128	50	3	100	14	14	71	193

\*ØE is on flange mounting.

\*For dimensions not shown in these figures, refer to the standard type.

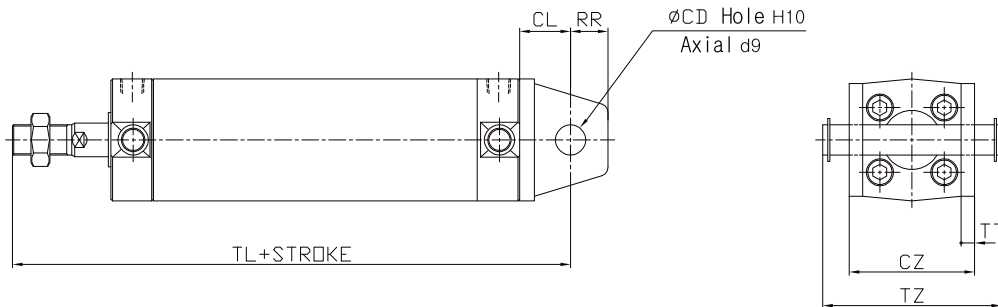
# 中型轻型气缸 (铝缸筒) Medium Light Cylinder (AL Tube)

## TCG1(Ø50~Ø100) Series

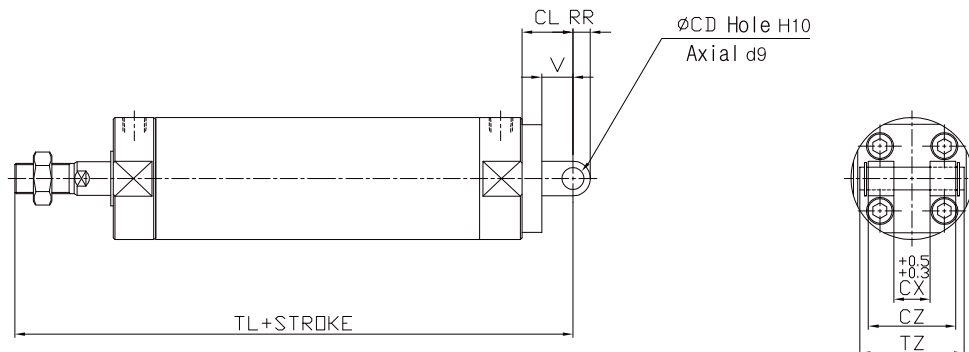
### Dimensions(mm)(外形尺寸图(毫米))

#### Double Clevis (双U钩型) TCG1D

Ø50,Ø63



Ø80,Ø100



Unit : mm

Bore size	Stroke range	CD	CX	CZ	CL	RR	V	TT	TZ	TL
Ø50	~600	16	-	60	25	20	-	6	86	173
Ø63	~600	18	-	74	30	22	-	8	105.4	178
Ø80	~750	18	28	56	35	18	26	-	64	214
Ø100	~750	22	32	64	43	22	32	-	72	222

\*For dimensions not shown in these figures, refer to the standard type.