

中型标准气缸 Medium Cylinder

TSC(Ø32~Ø100) Series



Common Specification (共同规格)

Bore(缸径)(mm)	Ø32	Ø40	Ø50	Ø63	Ø80	Ø100
Fluid(流体)	Clean Air(洁净空气)					
Action(动作形式)	Double Acting(双动)					
Proof Press.(保证耐压力)	1.5Mpa					
Max. Press.(最高使用压力)	0.99Mpa					
Min. Press.(最低使用压力)	0.05Mpa					
Amb.Temp.(环境及流体温度)	-5~+60°C(未冻结)					
Piston Speed(活塞速度)	50~500mm/s					
Cushion(缓冲)	Air Cushion(气缓冲)					
*Lubrication(润滑)	Lube Type(STD)(标准)/Non-Lube(option)(无润滑)(可选)					
Stroke Tolerance(行程公差)	0~250: $^{+1.0}_0$		251~1000: $^{+1.4}_0$		1000~1500: $^{+1.8}_0$	
Pipe Size(接管口径)Rc(PT)	1/8"	1/4"	1/4"	3/8"	3/8"	1/2"

* Use Turbine Oil 1st-Grade ISOVG32, If Necessary(如需要润滑请用透平1号油ISOVG32)

How To Order (型号表示方法)



Mounting 附件安装方式	Bore 缸径	Stroke 行程	Accessory 附件	*Auto Switch 磁性开关	No. of Auto Switch 磁性开关数量	
B Basic Type(基本型)	32,40,50,63,80,100	Please refer to the table. 请参考行程表	I I Type Knuckle Joint (I型单肘接头)	Nil(空) None (无磁性开关)	Nil(空) 2(个)	
L Foot Type(脚座型)			Y Y Type Knuckle Joint (Y型双肘接头)	A49 Reed Switch(带有接点磁性开关)	S 1(个)	
F Front Flange(杆侧法兰)			Magnet 有无磁环		M9B Reed Switch(带有接点磁性开关)	3 3(个)
G Rear Flange(后法兰)			Nil(空) None(无磁环)		M9NP Contactless Switch(无接点磁性开关)	
C Single Clevis(单U钩型)			S Built-in Magnet(有磁环)		A25B Reed Switch(带有接点磁性开关)	
D Double Clevis(双U钩型)			*Auto Switch (磁性开关) 引线长度表示记号: 无记号-1m(标准) L-3m Z-5m			
T Center Trunnion(中央轴耳)						
R Trunnion Bracket(轴耳接座)						

Stroke (行程)

Bore (缸径) (mm)	Stroke (标准行程) (mm)
Ø32, 40	25, 50, 75, 100, 125, 175, 200, 250, 300, 350, 400, 450, 500
Ø50	25, 50, 75, 100, 125, 175, 200, 250, 300, 350, 400, 450, 500, 600
Ø63	25, 50, 75, 125, 150, 175, 200, 250, 300, 350, 400, 450, 500, 600, 700

* Contact us for other stroke.
(非标行程请与营业员联系)

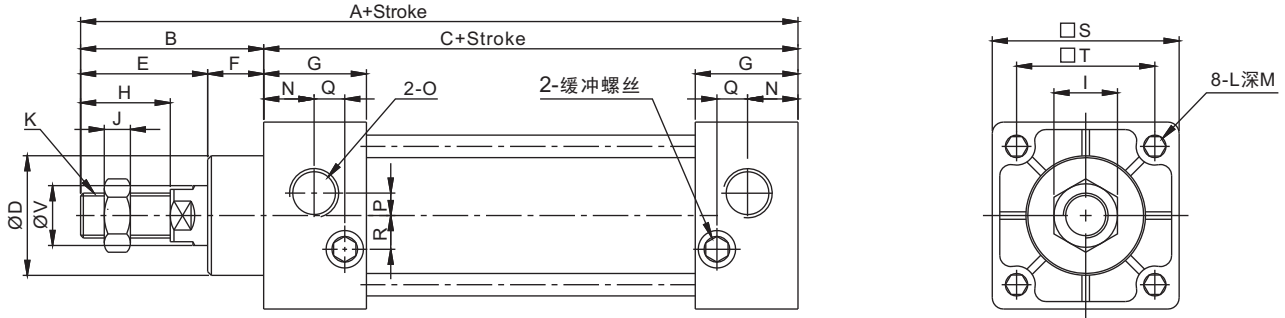
Part No. of Mounting(安装附件型号)

Bore(缸径)	Ø32	Ø40	Ø50	Ø63	Ø80	Ø100	
Accessory (安装附件)	L	TSC-L032	TSC-L040	TSC-L050	TSC-L063	TSC-L080	TSC-L100
	F	TSC-F032	TSC-F040	TSC-F050	TSC-F063	TSC-F080	TSC-F100
	G	TSC-G032	TSC-G040	TSC-G050	TSC-G063	TSC-G080	TSC-G100
	C	TSC-C032	TSC-C040	TSC-C050	TSC-C063	TSC-C080	TSC-C100
	D	TSC-D032	TSC-D040	TSC-D050	TSC-D063	TSC-D080	TSC-D100
	T	TSC-T040	TSC-T040	TSC-T050	TSC-T063	TSC-T080	TSC-T100
	R	TSC-T040	TSC-T040	TSC-T050	TSC-T063	TSC-T080	TSC-T100
	Accessory (连接附件)	I	TSC-040I	TSC-040I	TSC-050I	TSC-080I	
Y		TSC-040Y	TSC-040Y	TSC-050Y	TSC-080Y		



Dimensions(mm)(外形尺寸图(毫米))

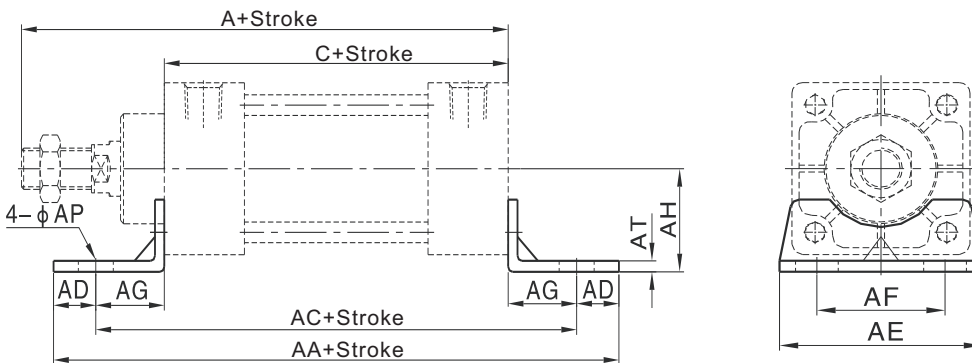
Basic Type (基本型) TSCB



Bore (缸径)(mm)	Stroke Range (行程范围)(mm)	A	B	C	ØD	E	F	G	H	I	J	K	L	M	N	O	P	Q	R	□S	□T	ØV
Ø32	~500	140	47	93	28	32	15	27.5	22	17	6	M10x1.25	M6x1	9.5	13.7	1/8"	3.5	7.5	7	45	33	12
Ø40	~500	142	49	93	32	34	15	27.5	24	17	7	M12x1.25	M6x1	9.5	13.5	1/4"	6	7.5	9	50	37	16
Ø50	~600	150	57	93	38	42	15	27.5	32	23	8	M16x1.5	M6x1	9.5	13.5	1/4"	8.5	7.5	9	62	47	20
Ø63	~600	153	57	96	38	42	15	27.5	32	23	8	M16x1.5	M8x1.25	9.5	13.5	3/8"	7	7.5	8.5	75	56	20
Ø80	~800	182	75	107	47	54	21	33	40	26	10	M20x1.5	M10x1.5	11.5	16.5	3/8"	10	8.5	14	94	70	25
Ø100	~800	188	75	113	47	54	21	33	40	26	10	M20x1.5	M10x1.5	11.5	16.5	1/2"	11	8.5	14	112	84	25

Dimensions(mm)(外形尺寸图(毫米))

Axial Foot Type (脚座型) TSCL



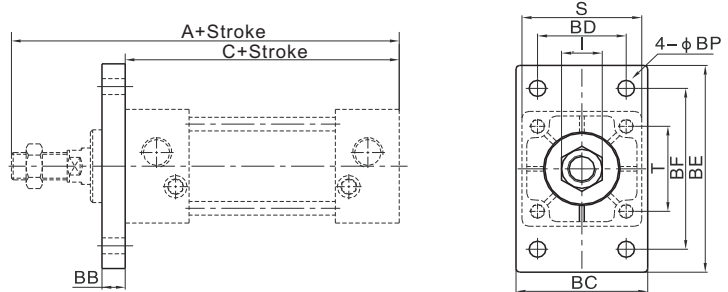
Bore (缸径)(mm)	A	C	AA	AC	AD	AE	AF	AG	AH	AP	AT
Ø32	140	93	153	134	9.5	50	33	20.5	28	9	3
Ø40	142	93	169	140	14.5	57	37	23.5	30	12	3
Ø50	150	93	173	149	12	68	47	28	36.5	12	3
Ø63	153	96	184	158	13	80	56	31	41	12	3
Ø80	182	107	199	167	18	97	70	28	49	14	4
Ø100	188	113	209	173	18	112	84	30	57	14	4

中型标准气缸 Medium Cylinder

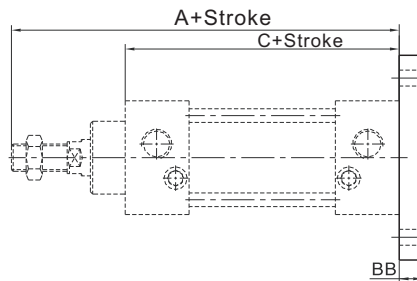
TSC(Ø32~Ø100) Series

Dimensions(mm)(外形尺寸图(毫米))

Front Flange Type (杆侧法兰) TSCF



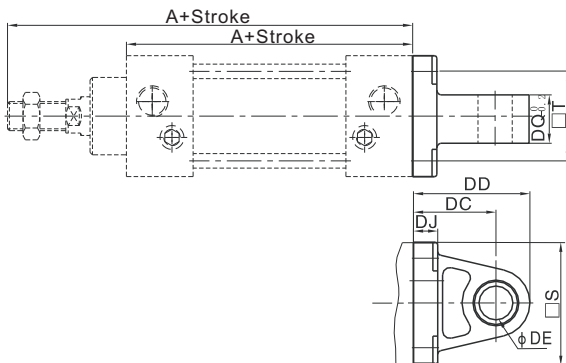
Rear Flange Type (后法兰) TSCG



Bore (缸径)(mm)	A	C	BB	BC	BD	BE	BF	BP	I	S	T
Ø 32	140	93	10	47	33	80	58	7	17	45	33
Ø 40	142	93	10	53	36	90	70	7	17	50	37
Ø 50	150	93	10	65	47	108	86	9	23	62	47
Ø 63	153	96	12	75	56	120	98	9	23	75	56
Ø 80	182	107	16	95	70	143	119	11	26	94	70
Ø 100	188	113	16	115	84	162	138	11	26	112	84

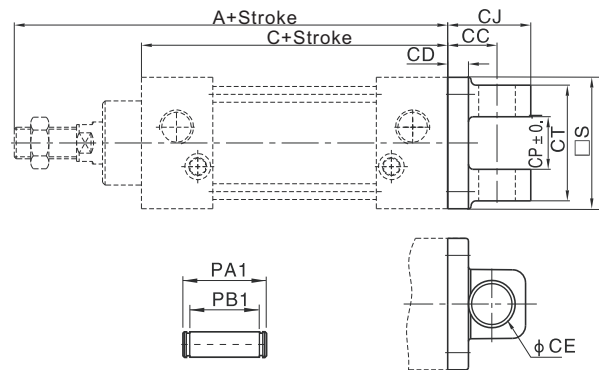
Dimensions(mm)(外形尺寸图(毫米))

Single Clevis Type (单U钩型) TSCC



Bore (缸径)(mm)	A	C	DC	DD	DE	DJ	DQ	S	T
Ø32	140	93	34	44.5	12	9	16	45	33
Ø40	142	93	34	45.5	14	9	20	50	37
Ø50	150	93	34	46	14	10	20	62	47
Ø63	153	96	34	46.5	14	10	20	75	56
Ø80	182	107	48	64.5	20	14	32	94	70
Ø100	188	113	48	65	20	14	32	112	84

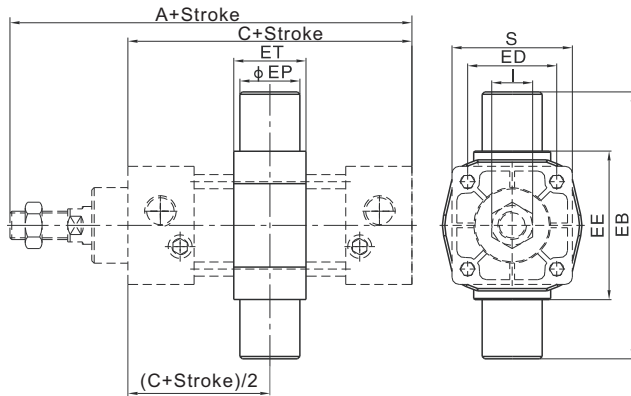
Double Clevis Type (双U钩型) TSCD



Bore (缸径)(mm)	A	C	S	CC	CD	CE	CJ	CP	CT	PA1	PB1
Ø32	140	93	45	19	9	12	29.5	16.3	32	39	32.8
Ø40	142	93	50	19	9	14	30.5	20.3	44	51	44.8
Ø50	150	93	62	19	10	14	31	20.3	52	59	52.8
Ø63	153	96	75	19	10	14	31.5	20.3	52	59	52.8
Ø80	182	107	94	32	14	20	48.5	32.3	64	73	64.8
Ø100	188	113	112	32	14	20	49	32.3	64	73	64.8

Dimensions(mm)(外形尺寸图(毫米))

Center Trunnion (中央轴耳) TSCT

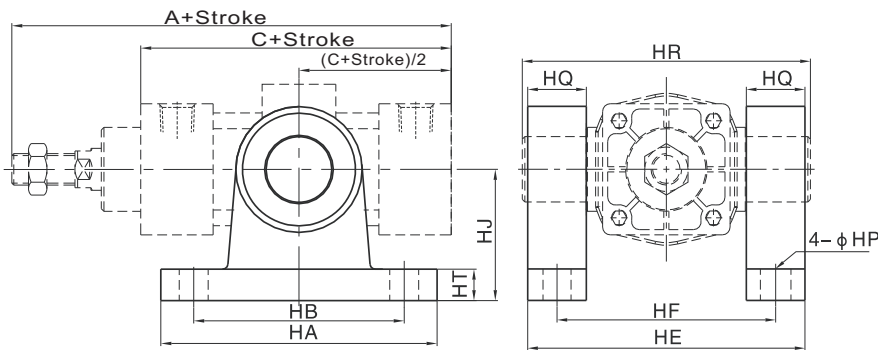


Bore (缸径)(mm)	A	C	EB	ED	EE	EP	ET	I	S
Ø32	140	93	87	33	55	16	22	17	45
Ø40	142	93	113	37	63	25	30	17	50
Ø50	150	93	126	47	76	25	30	23	62
Ø63	153	96	138	56	88	25	30	23	75
Ø80	182	107	164	70	114	25	35	26	94
Ø100	188	113	182	84	132	25	40	26	112

Note: The mounting location of trunnion isn't adjustable.
(注:轴耳安装位置不可任意调整)

Dimensions(mm)(外形尺寸图(毫米))

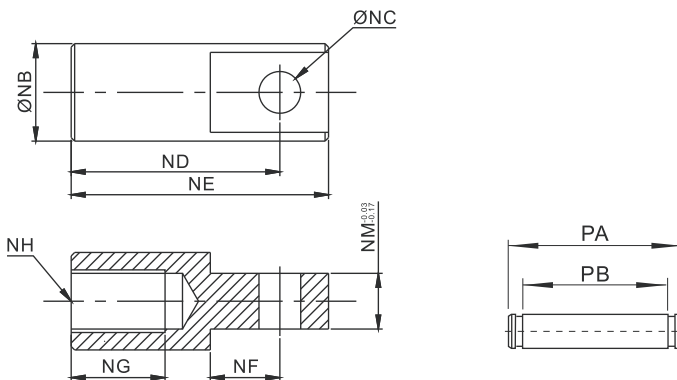
Trunnion Bracket (轴耳接座) TSCR



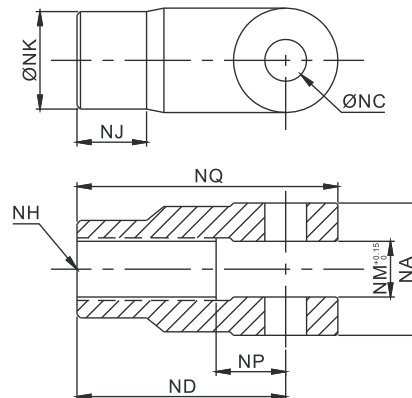
Bore (缸径)(mm)	A	C	HA	HB	HE	HF
Ø32	140	93	100	75	90	71
Ø40	142	93	103	80	109	86
Ø50	150	93	103	80	122	99
Ø63	153	96	103	80	134	111
Ø80	182	107	110	85	160	137
Ø100	188	113	110	85	178	155

Bore (缸径)(mm)	HP	HQ	HR	HT	HJ
Ø32	12	16	87	11	54
Ø40	11	23	113	12	50
Ø50	11	23	126	12	50
Ø63	11	23	138	12	50
Ø80	13	23	164	12	70
Ø100	13	23	182	12	70

Single Knuckle Joint (I型单肘接头)



Double Knuckle Joint (Y型双肘接头)



Bore (缸径)(mm)	NA	NB	NC	ND	NE	NF	NG	NH	NJ	NK	NM	NP	NQ	PA	PB
Ø32	19	20	10	40	52	15	20	M10*1.25	12	18	10	20	52	25.6	20
Ø40	25.4	24	12	48	67	24	20	M12*1.25	20	23	12	24	62	32.4	26.2
Ø50	32	32	16	64	89	32	23	M16*1.5	22	30	16	32	83	39	33
Ø63			20	80	112	40	30								
Ø80	44.4	40	20	80	112	40	30	M20*1.5	30	39	20	40	105	53.4	45
Ø100															

中型标准气缸/特殊型 Medium Cylinder/Special Order

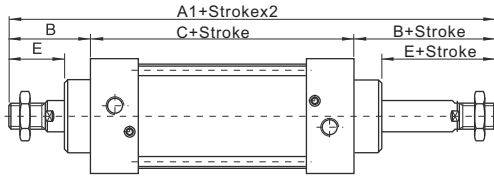
TSCW(Ø32~Ø100) Series

PNEUMATICS

1

Order Example (订购举例)

Double Rod Cylinder (双活塞杆型)



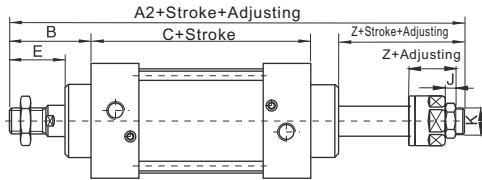
TSCWB50-50Y-M9BS

① ② ③ ④ ⑤ ⑥

- ① Mounting 附件安装方式
- ② Bore 缸径
- ③ Stroke 行程
- ④ Knuckle Joint 连接附件
- ⑤ Auto Switch 磁性开关
- ⑥ No. of Auto Switch 磁性开关数量

Order Example (订购举例)

Adjustable Stroke Cylinder (可调节行程气缸)



TSCB50-50Y-M9BS -XC8

① ② ③ ④ ⑤ ⑥

- ① Mounting 附件安装方式
- ② Bore 缸径
- ③ Stroke 行程
- ④ Knuckle Joint 连接附件
- ⑤ Auto Switch 磁性开关
- ⑥ No. of Auto Switch 磁性开关数量

Bore (缸径)(mm)	Stroke Range (行程范围)(mm)	A1	A2	B	C	E	Z	J	K
Ø32	~ 500	187	182	47	93	32	27	6	M10×1.25
Ø40	~ 500	191	185	49	93	34	28	7	M12×1.25
Ø50	~ 600	207	194	57	93	42	29	8	M16×1.5
Ø63	~ 600	210	197	57	96	42	29	8	M16×1.5
Ø80	~ 800	257	238.5	75	107	54	35.5	10	M20×1.5
Ø100	~ 800	263	244.5	75	113	54	35.5	10	M20×1.5

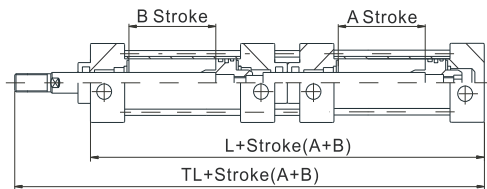
Note: Nil dimension is same as the standard cylinder.
(注:未标注尺寸与TSC 标准气缸相同)

Order Example (订购举例)

Dual Stroke Cylinder/Single Rod Type (双行程气缸/单活塞杆型)

TSCB50-50+(75-50)Y-M9BS-XC11

① ② ③ ④ ⑤ ⑥ ⑦



Unit: mm

Bore Size	L	TL
Ø32	186	233
Ø40	186	235
Ø50	186	243
Ø63	192	249
Ø80	221	296
Ø100	233	308

*Other dimensions are same as standard type.
(其它尺寸与标准型相同)

- ① Mounting 附件安装方式
- ② Bore 缸径
- ③ Stroke A 行程A
- ④ Stroke B- stroke A 行程B-行程A
- ⑤ Accessory 附件
- ⑥ Auto Switch 磁性开关
- ⑦ No. of Auto Switch 磁性开关数量

Symbol (符号)

