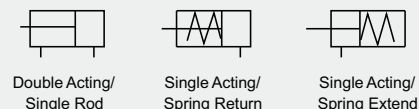


小型标准气缸(不锈钢缸筒) Small Cylinder (SUS Tube)

Symbol 图形符号



TCM2, TCDM2(Ø20~Ø40) Series

1



Common Specification (共同规格)

Bore(缸径)(mm)	Ø20	Ø25	Ø32	Ø40
Fluid(流体)	Clean Air(洁净空气)			
Action(动作形式)	Double/Single Acting(双/单动)			
Proof Press.(保证耐压力)	1.5Mpa			
Max. Press.(最高使用压力)	0.99Mpa			
Min. Press.(最低使用压力)	0.05Mpa(双动)/0.18Mpa(弹簧压回)/0.23Mpa(弹簧压出)			
Amb.Temp.(环境及流体温度)	-5~+60°C(未冻结)			
Piston Speed(活塞速度)	50~750mm/s			
Cushion(缓冲)	Rubber(STD)两端橡胶缓冲(标准), Air(Optional)气缓冲(任选)			
*Lubrication(润滑)	Not Necessary(不需要)			
Stroke Tolerance(行程公差)	$^{+1.4}_0$			
Pipe Size(接管口径)Rc(PT)	1/8"	1/8"	1/8"	1/4"

· Use Tubine Oil 1st-Grade ISOVG32, If Necessary(如需要润滑请用透平1号油ISOVG32)

How To Order (型号表示方法)

20,25,32,40	25,50,75,100,125,150,200,250,300	Nil(空) Double Acting(双动) S Spring Return(弹簧压回) T Spring Extend(弹簧压出)	Nil(空) None(无) J Nylon Tarpaulin(尼龙防水帆布)(60°C) K Neoprene(氯丁橡胶外层)(110°C)	I I Type Y Y Type
Bore 缸径	Stroke 行程	Action 动作形式	*Gaiter Material 伸缩保护套材质	Accessory 附件

TC D M2 L 32 - 150 S A J Y - M9B S

Magnet 有无磁环 Nil(空) None(无磁环) D Built-in Magnet(有磁环)	Mounting 附件安装方式 B Basic Type(基本型) L Foot Type(脚座型) F Front Flange(杆侧法兰) G Rear Flange(后法兰) C Single Clevis(单U钩型) D Double Clevis(双U钩型) U Front Trunnion(杆侧轴耳) T Rear Trunnion(后侧轴耳) E Integrated Clevis Type(原装单U型钩) Z Boss Cut(无凸台基本型)	Cushion 缓冲 Nil(空) Rubber(橡胶缓冲) A Air Cushion(气缓冲)	*Auto Switch 磁性开关 Nil(空) None(无磁性开关) A49 Reed Switch(带有接点磁性开关) M9B Reed Switch(带有接点磁性开关) M9NP Contactless Switch(无接点磁性开关) C72K Reed Switch(带有接点磁性开关)	No. of Auto Switch 磁性开关数量 Nil(空) 2(个) S 1(个) 3 3(个)
---	---	---	---	--

* Auto Switch(磁性开关)引线长度表示记号:
无记号-1m(标准)
L-3m
Z-5m
* Single acting type cylinder is no air cushion. (单动型无气缓冲)
* Order gaiter J/K type, Please contact the sales. (订购伸缩保护套J/K型, 请与营业员联络)

Stroke (行程)

Bore (缸径) (mm)	STD Stroke (标准行程) (mm)	Max. Stroke (最大行程) (mm)
Ø20	25,50,75,100,125,150,175,200,250,300,350,400,450,500	650
Ø25		
Ø32		
Ø40		

* Contact us for other stroke. (非标行程请与营业员联系)

Part No. of Mounting(安装附件型号)

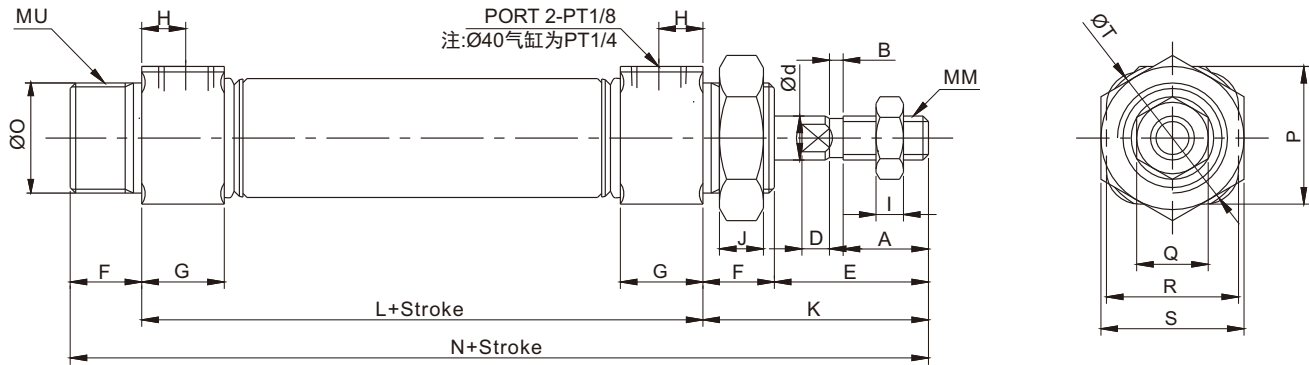
	Bore(缸径)	20	25	32	40
Accessory (安装附件)	L	TCM2-L020	TCM2-L025		TCM2-L040
	F	TCM2-F020	TCM2-F025		TCM2-F040
	G				
	C	TCM2-C020	TCM2-C025		TCM2-C040
	D	TCM2-D020	TCM2-D025		TCM2-D040
	T	TCM2-T020	TCM2-T025	TCM2-T032	
U					
Accessory 连接附件	I	TCM2-020I	TCM2-032I		TCM2-040I
	Y	TCM2-020Y	TCM2-032Y		TCM2-040Y

小型标准气缸(不锈钢缸筒) Small Cylinder (SUS Tube)

TCM2, TCDM2(Ø20~Ø40) Series

Dimensions(mm)(外形尺寸图(毫米))

Basic Type(基本型) TCM2B TCDM2B
Boss Cut(无凸台型) TCM2Z TCDM2Z

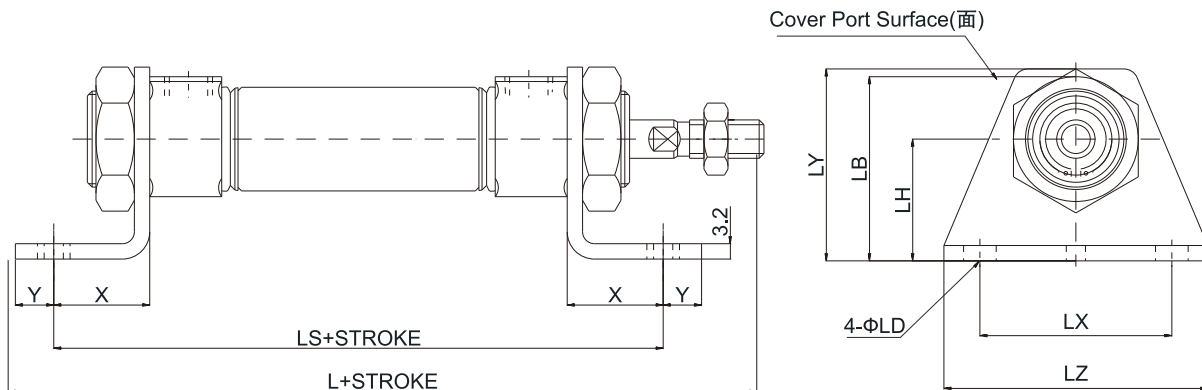


Bore(缸径)	A	B	D	E	F	G	H	I	J	K	L	N	Ød	ØO	MM	MU	P	Q	R	S	ØT
Ø20	15.5	2.5	5	28	13	15	8	5	8	41	62	116	8	20 ⁰ _{-0.033}	M8×1.25	M20×1.5	25	13	24	26	28
Ø25	19.5	2.5	5.5	32	13	15	8	6	8	45	62	120	10	26 ⁰ _{-0.033}	M10×1.25	M26×1.5	31	17	30	32	34
Ø32	19.5	2.5	5.5	32	13	15	8	6	8	45	64	122	12	26 ⁰ _{-0.033}	M10×1.25	M26×1.5	35.5	17	32	32	38
Ø40	21	3	7	34	16	21.5	11	8	10	50	88	154	14	32 ⁰ _{-0.033}	M14×1.5	M32×2	42.5	22	46	41	50

*In addition to F size, basic type cylinder as the end cut cylinder remaining consistent size.
*无凸台型气缸无F尺寸,其余尺寸与基本型一致.

Dimensions(mm)(外形尺寸图(毫米))

Axial Foot Type(脚座型) TCM2L/TCDM2L



Bore(缸径)	L	LS	LB	ØLD	LH	LX	LY	LZ	X	Y
Ø20	131	102	38	6.8	25	40	40	55	20	8
Ø25	135	102	44	6.8	28	40	47	55	20	8
Ø32	137	104	44.3	6.8	28	40	47	55	20	8
Ø40	171	134	51.3	7	30	55	54	75	23	10

小型标准气缸(不锈钢缸筒)

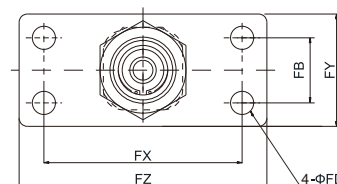
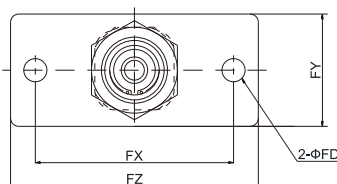
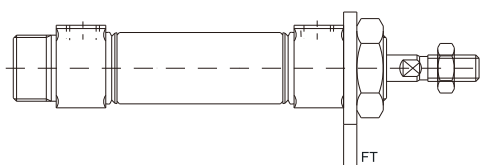
Small Cylinder (SUS Tube)

TCM2, TCDM2 (Ø20~Ø40) Series

Dimensions(mm)(外形尺寸图(毫米))

Front Flange Type (杆端法兰型) TCM2F TCDM2F

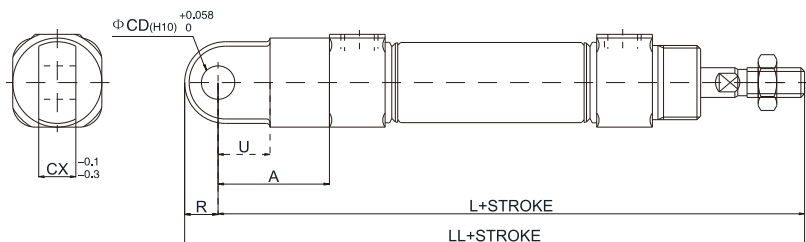
Rear Flange Type (后法兰型) TCM2G TCDM2G



Bore(缸径)	FB	ØFD	FT	FX	FY	FZ
Ø20	-	7	4	60	34	75
Ø25	-	7	4	60	40	75
Ø32	-	7	4	60	40	75
Ø40	36	7	5	66	52	82

Dimensions(mm)(外形尺寸图(毫米))

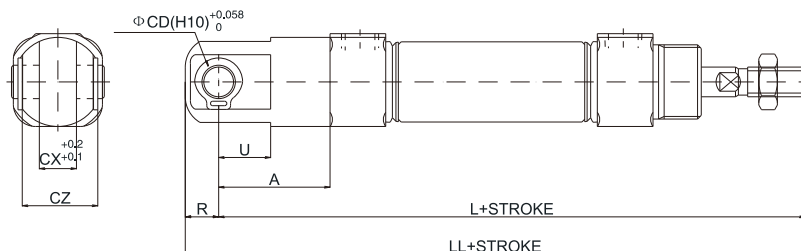
Single Clevis Type (单U钩型) TCM2C/TCDM2C



Bore(缸径)	L	LL	A	U	R	ØCD	CX
Ø20	133	142	30	14	9	9	10
Ø25	137	146	30	14	9	9	10
Ø32	139	148	30	14	9	9	10
Ø40	177	188	39	18	11	10	15

Dimensions(mm)(外形尺寸图(毫米))

Double Clevis Type (双U钩型) TCM2D/TCDM2D



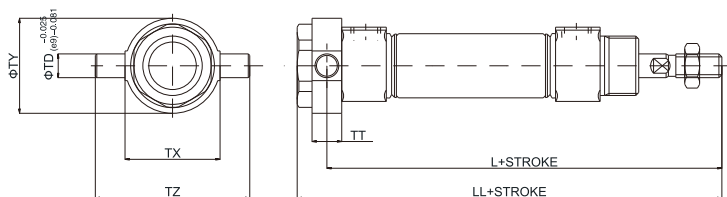
Bore(缸径)	L	LL	A	U	R	ØCD	CX	CZ
Ø20	133	142	30	14	9	9	10	19
Ø25	137	146	30	14	9	9	10	19
Ø32	139	148	30	14	9	9	10	19
Ø40	177	188	39	18	11	10	15	30

小型标准型气缸/双动 Small Cylinder /Double Acting

TCM2, TCDM2(Ø20~Ø40) Series

Dimensions(mm)(外形尺寸图(毫米))

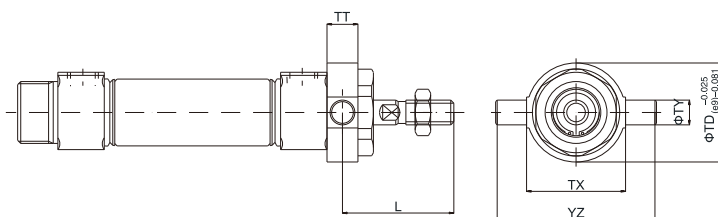
Rear Trunnion Type (后侧轴耳型) TCM2T/TCDM2T



Bore(缸径)	L	LL	ΦTD	TT	TX	TY	TZ
ø20	108	116	8	10	32	32	52
ø25	112	120	9	10	40	40	60
ø32	114	122	9	10	40	40	60
ø40	43.5	154	10	11	53	53	77

Dimensions(mm)(外形尺寸图(毫米))

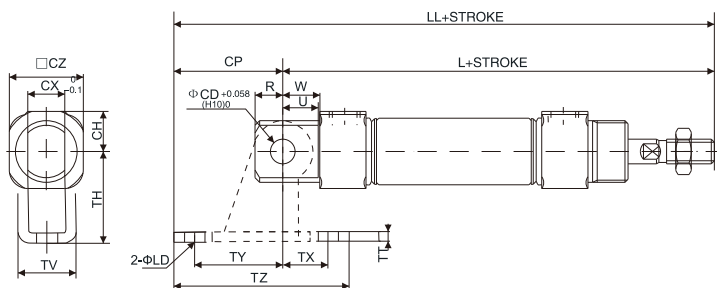
Front Trunnion Type (杆侧轴耳型) TCM2U/TCDM2U



Bore(缸径)	L	ΦTD	TT	TX	TY	TZ
ø20	36	8	10	32	32	52
ø25	40	9	10	40	40	60
ø32	40	9	10	40	40	60
ø40	44.5	10	11	53	53	77

Dimensions(mm)(外形尺寸图(毫米))

Integrated Clevis Type (原装单U型钩) TCM2E/TCDM2E



Bore(缸径)	L	R	U	W	ΦCD	CH	CX	□CZ	LL	ΦLD	TH	CP	TV	TX	TY	TZ	TT
ø20	115	9	11.5	12	8	12	12	24	152	6.8	30	37	18.4	15	30	59	3.2
ø25	119	9	11.5	12	8	15	12	30	156	6.8	30	37	18.4	15	30	59	3.2
ø32	124	12	14.5	15	10	17.3	20	34.5	174	9	40	50	28	15	40	75	4
ø40	153	12	14.5	15	10	21.3	20	42.5	203	9	40	50	28	15	40	75	4

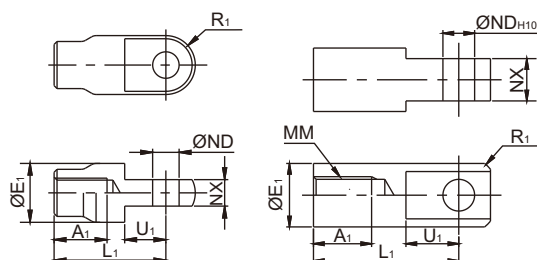
小型标准型气缸/双动

Small Cylinder /Double Acting

TCM2,TCDM2(Ø20~Ø40) Series

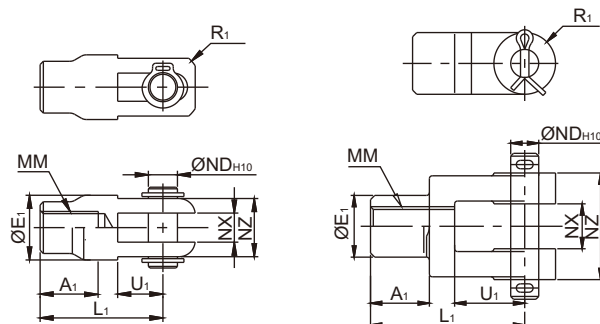
Dimensions(mm)(外形尺寸图(毫米))

Single Knuckle Joint (I型单肘接头)



Part No.(型号)	Bore(缸径)	A ₁	E ₁	L ₁	MM	ØND _{H10}	NX	R ₁	U ₁
TCM2-020I	20	16	20	36	M8×1.25	9 ^{+0.0058} ₀	9 ^{-0.1} _{-0.2}	10	14
TCM2-032I	25,32	18	20	38	M10×1.25	9 ^{+0.0058} ₀	9 ^{-0.1} _{-0.2}	10	14
TCM2-040I	40	22	24	55	M14×1.5	12 ^{+0.0058} ₀	16 ^{-0.1} _{-0.2}	15.5	20

Double Knuckle Joint (Y型双肘接头)

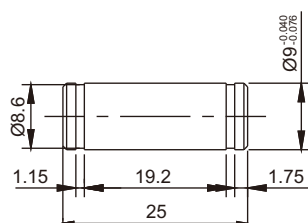


Part No.(型号)	Bore(缸径)	A ₁	E ₁	L ₁	MM	ØND _{H10}	NX	NZ	U ₁	R ₁
TCM2-020Y	20	16	20	36	M8×1.25	9 ^{+0.0058} ₀	9 ^{-0.1} _{-0.2}	18	14	12
TCM2-032Y	25,32	18	22	38	M10×1.25	9 ^{+0.0058} ₀	9 ^{-0.1} _{-0.2}	18	14	12
TCM2-040Y	40	22	24	55	M14×1.5	12 ^{+0.0058} ₀	16 ^{-0.1} _{-0.2}	38	25	13

Knuckle Joint Pin (肘节接头用销子)

Applicable Cylinder Bore(适合缸径): Ø20~Ø32

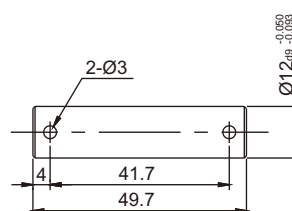
Material(材质): Carbon Steel(碳钢)



Knuckle Joint Pin (肘节接头用销子)

Applicable Cylinder Bore(适合缸径): Ø40

Material(材质): Carbon Steel(碳钢)



小型标准气缸/双活塞杆型 Small Cylinder / Double Rod

TCM2W, TCDM2W(Ø20~Ø40) Series

Order Example (订购举例)

Double Rod Cylinder (双活塞杆型)

TCDM2WB32-100Y-M9BS

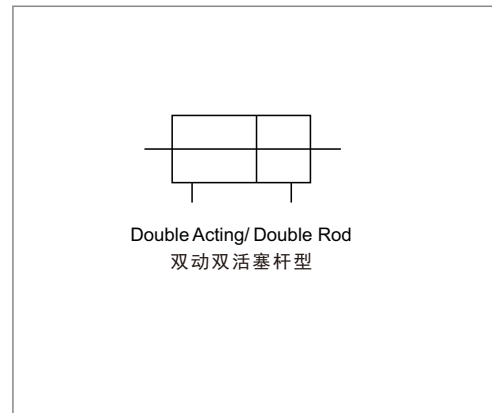
① ② ③ ④ ⑤ ⑥ ⑦

- ① Magnet 有无磁环
- ② Mounting 附件安装方式
- ③ Bore 缸径
- ④ Stroke 行程
- ⑤ Accessory 附件
- ⑥ Auto Switch 磁性开关
- ⑦ No. of Auto Switch 磁性开关数量

Specification (规格)

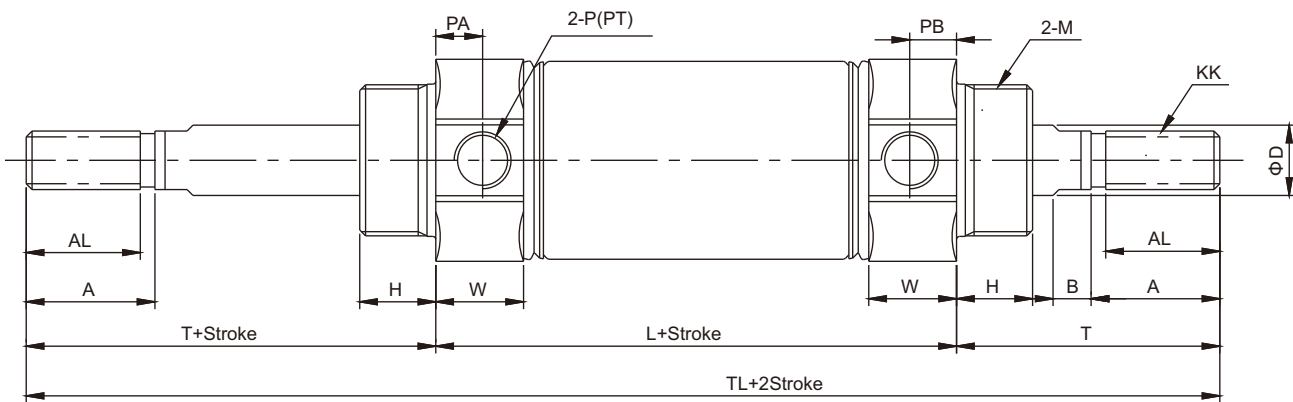
Bore(缸径)(mm)	Ø20	Ø25	Ø32	Ø40
Fluid(流体)	Clean Air(洁净空气)			
Action(动作形式)	Double Acting (双动)			
Proof Press.(保证耐压力)	1.5Mpa			
Max. Press.(最高使用压力)	1.0Mpa			
Min. Press.(最低使用压力)	0.05Mpa			
Amb.Temp.(环境及流体温度)	-5~+70°C(未冻结)			
Piston Speed(活塞速度)	50~750mm/s			
Cushion(缓冲)	Rubber(STD)两端橡胶缓冲(标准),Air(Option)气缓冲(任选)			
*Lubrication(润滑)	Not Necessary (不需要)			
Margin of Stroke Error (mm)(行程误差)	$\begin{matrix} +1.4 \\ 0 \end{matrix}$			
Pipe Size(接管口径)Rc(PT)	1/8"	1/8"	1/8"	1/4"

Symbol (符号)



* Use Tubine Oil 1st-Grade ISOVG32.If Necessary(如需要润滑请用透平1号油ISOVG32)

Dimensions(mm)(外形尺寸图(毫米))



Bore (mm)	Stroke	AL	A	B	ØD	H	KK	L	M	P(PT)	PA	PB	T	TL	W
Ø20	~300	15.5	18	5.0	8	13	M8×1.25	62	M20×1.5	1/8	8	8	41	144	15
Ø25	~300	19.5	22	5.5	10	13	M10×1.25	62	M26×1.5	1/8	8	8	45	152	15
Ø32	~300	19.5	22	5.5	12	13	M10×1.25	64	M26×1.5	1/8	8	8	45	154	15
Ø40	~300	21.0	24	7.5	14	16	M14×1.5	88	M32×2	1/4	11	11	50	188	21

Unit:mm

小型标准气缸/特殊型

Small Cylinder/Special Order

TCM2, TCDM2 (Ø20~Ø40) Series

Order Example (订购举例)

Adjustable Stroke Cylinder (可调节行程气缸)

Extension Adjustable Type (伸出调整型)

TCDM2B32-100BY-M9BS -XC8

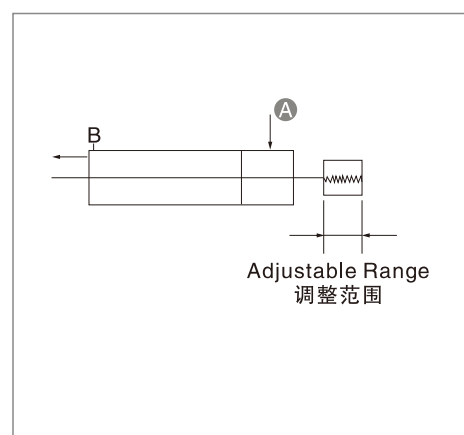
① ② ③ ④ ⑤ ⑥ ⑦

- ① Magnet 有无磁环
 - ② Mounting 附件安装方式
 - ③ Bore 缸径
 - ④ Stroke 行程
 - ⑤ Accessory 附件
 - ⑥ Auto Switch 磁性开关
 - ⑦ No. of Auto Switch 磁性开关数量
- Stroke Adjust 行程调节
B: Stroke adjusting range 0~50mm
行程可调节范围为0~50mm

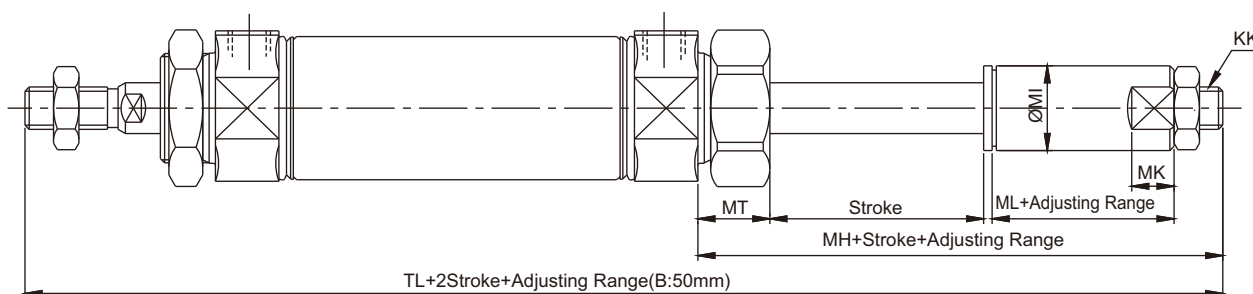
Specification (规格)

Fluid (流体)	Air (空气)
Proof Pressure (耐压)	1.5Mpa
Max. Operating Pressure (最大操作压力)	1.0Mpa
Min. Operating Pressure (最小操作压力)	0.05Mpa
Piston Speed (活塞速度)	50~750 mm/sec
Cushion (缓冲)	Rubber Cushion (Standard) 橡胶缓冲 (标准)
Stroke Adjusting System (行程调节)	Adjusting Stopper (调节挡块)
Stroke Adjusting Range (行程调节范围)	B: 0~50mm
Mounting (安装)	Basic Type (基本型) Front Flange (杆侧法兰) Rear Flange (后法兰) Front Trunnion (杆侧轴耳)
Applicable Bore Size (mm) (适用缸径)	Ø20, Ø25, Ø32, Ø40
Stroke (行程)	~300mm

Symbol (符号)



Dimensions (mm) (外形尺寸图 (毫米))



Bore Size (mm)	MA	KK	MK	MI	MT	MH	ML	TL
Ø20	12	M8×1.25	8	15	16.5	47	18	150
Ø25	17	M10×1.25	10	20	17.5	49	18	156
Ø32	17	M10×1.25	10	20	17.5	49	18	158
Ø40	22	M14×1.50	12	25	21.5	60	22	198

* Other dimensions are the same as for standard type.
其它尺寸与标准型相同

小型标准气缸/特殊型 Small Cylinder/Special Order TCM2, TCDM2(Ø20~Ø40) Series

Order Example (订购举例)

High Temperature Cylinder (耐高温气缸)

TCDM2B32-100Y-M9BS-XB6

① ② ③ ④ ⑤ ⑥ ⑦

- ① Magnet 有无磁环
 - ② Mounting 附件安装方式
 - ③ Bore 缸径
 - ④ Stroke 行程
 - ⑤ Accessory 附件
 - ⑥ Auto Switch 磁性开关
 - ⑦ No. of Auto Switch 磁性开关数量
- Use at high temperature up to 150°C. 最高使用温度150°C

* Other dimensions are the same as for standard type.
其它尺寸与标准型相同

Order Example (订购举例)

Dual Stroke Cylinder/Double Rod Type (双行程气缸/双活塞杆型)

TCDM2B32-50Y+75Y-M9BS-XC10

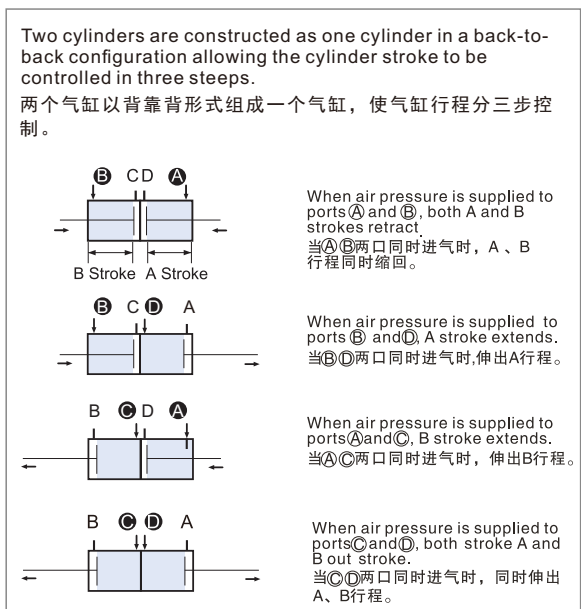
① ② ③ ④ ⑤ ⑥ ⑦ ⑧

- ① Magnet 有无磁环
- ② Mounting 附件安装方式
- ③ Bore 缸径
- ④ Stroke A 行程A
- ⑤ Stroke B 行程B
- ⑥ Accessory 附件
- ⑦ Auto Switch 磁性开关
- ⑧ No. of Auto Switch 磁性开关数量

Specification (规格)

Fluid(流体)	Clean Air(洁净空气)
Action(动作形式)	Double/Single Acting(双/单动)
Proof Press.(保证耐压力)	1.5MPa
Max. Press.(最高使用压力)	1.0MPa
Min. Press.(最低使用压力)	0.05MPa
Piston Speed(活塞速度)	50~750mm/s
Cushion(缓冲)	Rubber Cushion(Standard)橡胶缓冲(标准)
*Lubrication(润滑)	Not Necessary(不需要)
Mounting (安装)	Basic Type(基本型) Foot Type(脚座型) Front Flange(杆侧法兰)
Stroke (行程)	~300mm
Applicable Bore Size(mm)(适用缸径)	Ø20, Ø25, Ø32, Ø40

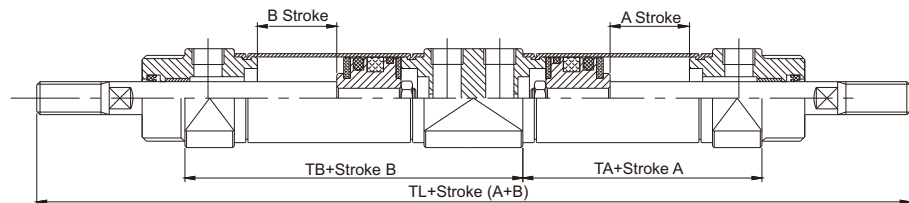
Symbol (符号)



Dimensions(mm)(外形尺寸图(毫米))

Unit:mm

Bore Size (mm)	TA	TB	TL
Ø20	47	78	207
Ø25	47	78	215
Ø32	49	80	219
Ø40	66.5	110.5	277



* Other dimensions are the same as for standard type.
其它尺寸与标准型相同

小型标准气缸/特殊型 Small Cylinder/Special Order

TCM2, TCDM2(Ø20~Ø40) Series

Order Example (订购举例)

Dual Stroke Cylinder/Single Rod Type (双行程气缸/单活塞杆型)

TCDM2B32-50+(75-50)Y-M9BS-XC11

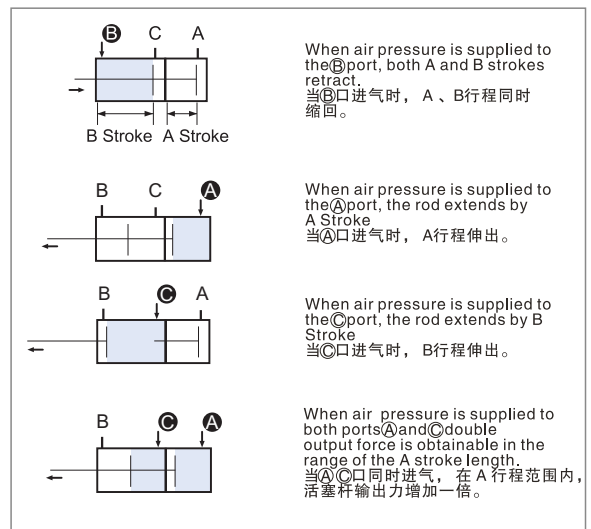
① ② ③ ④ ⑤ ⑥ ⑦ ⑧

- ① Magnet 有无磁环
- ② Mounting 附件安装方式
- ③ Bore 缸径
- ④ Stroke A 行程A
- ⑤ Stroke B- stroke A 行程B-行程A
- ⑥ Accessory 附件
- ⑦ Auto Switch 磁性开关
- ⑧ No.of Auto Switch 磁性开关数量

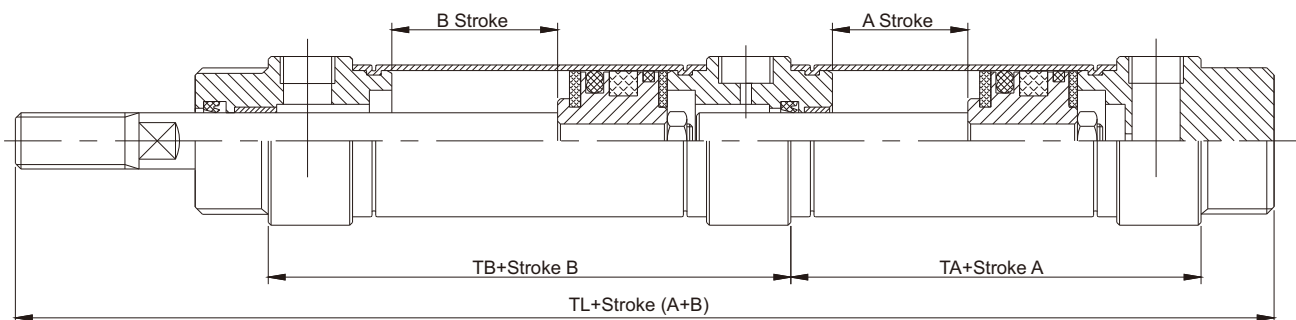
Specification (规格)

Fluid(流体)	Clean Air(洁净空气)
Proof Press.(保证耐压力)	1.5MPa
Max. Press.(最高使用压力)	1.0MPa
Min. Press.(最低使用压力)	0.05MPa
Piston Speed(活塞速度)	50~750mm/s
Cushion(缓冲)	Rubber Cushion(Standard)橡胶缓冲(标准)
Mounting (安装)	Basic Type(基本型) Foot Type(脚座型) Front Flange(杆侧法兰) Rear Flange(后法兰) Single Clevis(单U钩型) Double Clevis(双U钩型) Front Trunnion(杆侧轴耳) Rear Trunnion(后侧轴耳)
Stroke (行程)	~300mm
Applicable Bore Size(mm)(适用缸径)	Ø20, Ø25, Ø32, Ø40

Symbol (符号)



Dimensions(mm)(外形尺寸图(毫米))



Unit:mm

Bore Size (mm)	TA	TB	TL
Ø20	48	62	164
Ø25	48	62	168
Ø32	50	64	172
Ø40	67.5	88.5	222

* Other dimensions are the same as for standard type.
其它尺寸与标准型相同

小型标准气缸/特殊型 Small Cylinder/Special Order

TCM2, TCDM2(Ø20~Ø40) Series

Order Example (订购举例)

Single Acting Spring Return(S), Spring Extend(T) (单动弹簧压回/弹簧压出)

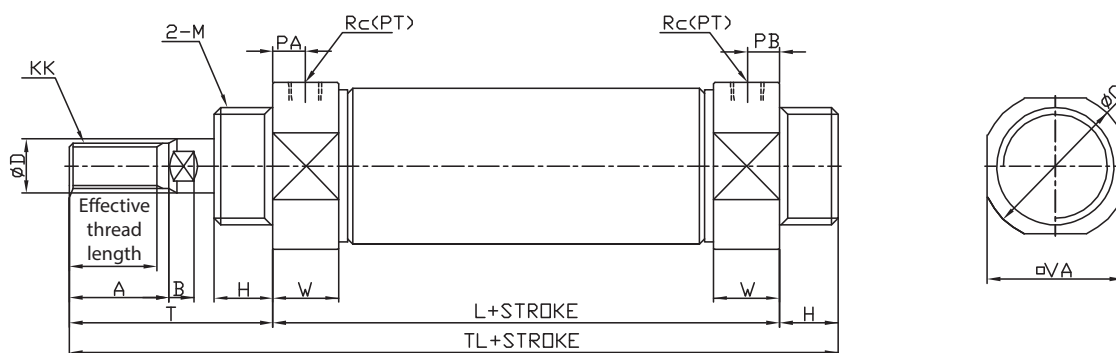
TCDM2B32-50SY-M9BS

① ② ③ ④ ⑤ ⑥ ⑦ ⑧

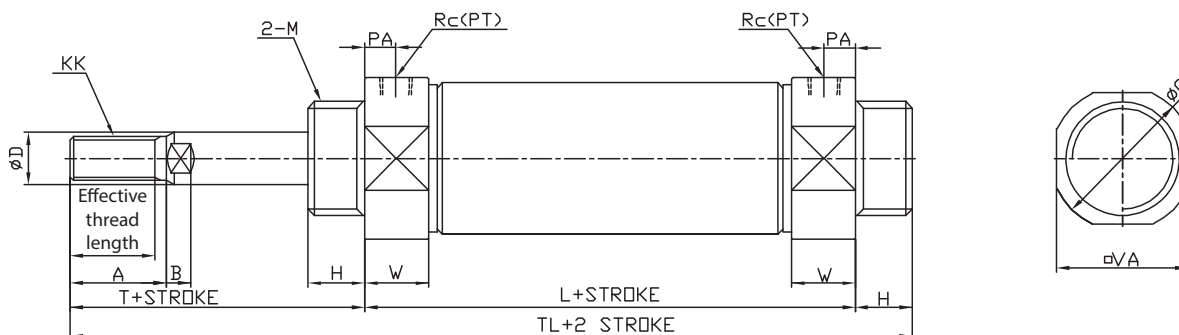
- ① Magnet 有无磁环
- ② Mounting 附件安装方式
- ③ Bore 缸径
- ④ Stroke 行程
- ⑤ Action 动作形式
- ⑥ Accessory 附件
- ⑦ Auto Switch 磁性开关
- ⑧ No.of Auto Switch 磁性开关数量

Dimensions(mm)(外形尺寸图(毫米))

Single Acting Spring Return (弹簧压回) TCM2B-S/TCDM2B-S



Single Acting Spring Extend (弹簧压出) TCM2B-T/TCDM2B-T



Unit : mm

Bore size (缸径)	Effective thread length (有效螺纹长度)	A	B	C	ØD	H	KK	PA	Rc(PT)	T	□VA	VB	W
Ø20	15.5	18	5	28	10	13	M8x1.25	8	1/8	41	24	15	15
Ø25	19.5	22	5.5	33.5	12	13	M10x1.25	8	1/8	45	30	15	15
Ø32	19.5	22	5.5	37.5	12	13	M10x1.25	8	1/8	45	34.5	15	15
Ø40	21	24	7	46.5	16	13	M14x1.5	11	1/4	50	42.5	21.5	21.5

Unit : mm

Bore size (缸径)	Stroke (行程)		1~50		51~100		101~150		151~200		201~250	
	L	TL	L	TL	L	TL	L	TL	L	TL	L	TL
Ø20	87	141	112	166	137	191	-	-	-	-	-	-
Ø25	87	145	112	170	137	195	-	-	-	-	-	-
Ø32	89	147	114	172	139	197	164	222	-	-	-	-
Ø40	113	179	138	204	163	229	188	254	213	279	-	-

小型标准型气缸/直接安装气缸

Direct Mount Type Cylinder

TCDM2R(Ø20~Ø40) Series

Common Specification (共同规格)



Bore(缸径)(mm)	Ø20	Ø25	Ø32	Ø40
Fluid(流体)	Clean Air(洁净空气)			
Action(动作形式)	Double Acting(双动)			
Proof Press.(保证耐压力)	1.5Mpa			
Max. Press.(最高使用压力)	0.99Mpa			
Min. Press.(最低使用压力)	0.05Mpa			
Amb.Temp.(环境及流体温度)	5~60°C			
Piston Speed(活塞速度)	50~750mm/s			
Cushion(缓冲)	Rubber(STD)两端橡胶缓冲(标准),Air(Option)气缓冲(任选)			
*Lubrication(润滑)	Not Necessary(不需要)			
Stroke Tolerance(行程公差)	+1.0 0			
Mouting Style(安装形式)	Bottom mounting, Front mounting			

* Use Tubine Oil 1st-Grade ISOVG32,If Necessary(如需要润滑请用透平1号油ISOVG32)

How To Order (型号表示方法)

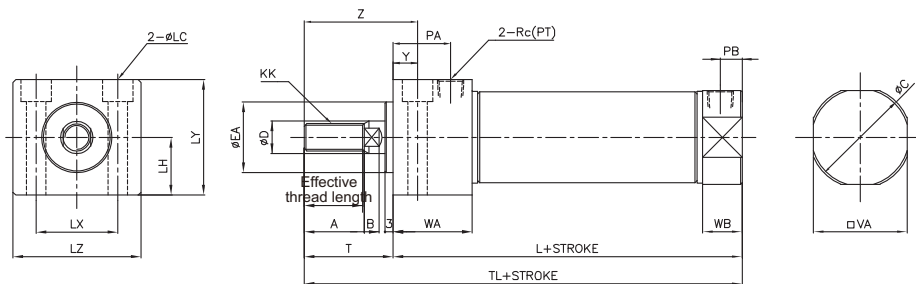
TCDM2R B 32 - 150 A Y - M9B S

Mouting 附件安装方式	Bore 缸径	Stroke 行程	Cushion 缓冲	*Auto Switch 磁性开关	No.of Auto Switch 磁性开关数量
B Bottom Mounting (端面安装)	20,25,32,40	25,50,75,100,125,150,175,200, 250,300,350,400,450,500	Nil(空) Rubber(橡胶缓冲) A Air Cushion(气缓冲)	Nil(空) None(无磁性开关) A49 Reed Switch(带有接点磁性开关) M9B Reed Switch(带有接点磁性开关) M9NP Contactless Switch(无接点磁性开关) C72K Reed Switch(带有接点磁性开关)	Nil(空) 2(个) S 1(个) 3 3(个)
F Front mounting (杆侧安装)		*非标行程请向营业员咨询。	Accessory 附件		
			I I Type Y Y Type		

*Auto Switch (磁性开关) 引线长度表示记号:
L - 3m
Z - 5m

Dimensions(mm)(外形尺寸图(毫米))

Bottom Mounting (端面安装) TCDM2RB



Unit : mm

Bore size	Effective thread length	A	B	ØC	ØD	ØEA	KK	L	ØLC	LH	LX
Ø20	15.5	18	5.0	27	10	20 ^{+0.033}	M8X1.25	76	Ø5.5,Ø9.5 Depth 6.5	15	21
Ø25	19.5	22	5.5	33	12	26 ^{+0.033}	M10X1.25	76	Ø6.6,Ø11 Depth 7.5	18	25
Ø32	19.5	22	5.5	37.5	12	26 ^{+0.033}	M10X1.25	78	Ø9,Ø14 Depth 10	21	30
Ø40	21.0	24	7.0	46.5	16	32 ^{+0.039}	M14X1.25	104	Ø11,Ø17 Depth 12.5	26	38

Bore size	LY	LZ	PA	PB	Rc(PT)	T	TL	□VA	WA	WB	Y	Z
Ø20	30.4	33.5	22	8	1/8	27	103	24	29	15	12	39
Ø25	36.4	39	22	8	1/8	31	107	30	29	15	12	43
Ø32	42.4	47	22	8	1/8	31	109	34.5	29	15	12	43
Ø40	52.4	58.5	27	11	1/4	34	138	46.5	37.5	21	15	49

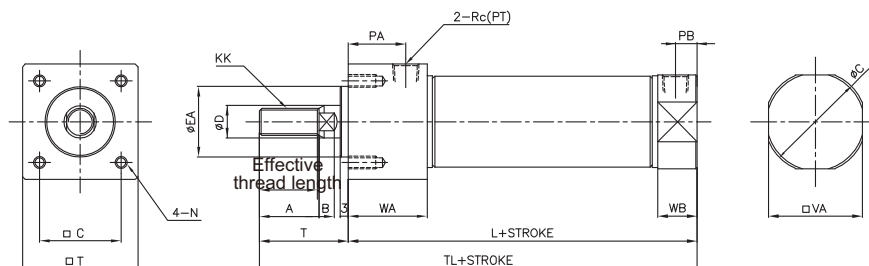
小型标准型气缸/直接安装气缸

Direct Mount Type Cylinder

TCDM2R(Ø20~Ø40) Series

Dimensions(mm)(外形尺寸图(毫米))

Front Mounting (杆侧安装) TCDM2RF



Unit : mm

Bore size	Effective thread length	A	B	□C	ØC	ØD	ØEA	KK	L	N	PA	PB
Ø20	15.5	18	5.0	22	27	10	20 ⁺⁰ _{0.033}	M8X1.25	76	M5X0.8 Depth 9	22	8
Ø25	19.5	22	5.5	26	33	12	26 ⁺⁰ _{0.033}	M10X1.25	76	M6X1.0 Depth 11	22	8
Ø32	19.5	22	5.5	30	37.5	12	26 ⁺⁰ _{0.033}	M10X1.25	78	M6X1.0 Depth 11	22	8
Ø40	21.0	24	7.0	36	46.5	16	32 ⁺⁰ _{0.039}	M14X1.25	104	M8X1.25 Depth 14	27	11

Bore size	Rc(PT)	T	□T	TL	□VA	WA	WB
Ø20	1/8	27	30.4	103	24	29	15
Ø25	1/8	31	36.4	107	30	29	15
Ø32	1/8	31	42.4	109	34.5	29	15
Ø40	1/4	34	52.4	138	46.5	37.5	21